

oras commercial single lever mixers

CUBISTA SERIES

VEGA SERIES

VIVA SERIES



WWW.ENWARE.COM.AU

the cubista series

CUBISTA IS AN ULTRA-MODERN PRODUCT FAMILY FROM ENWARE-ORAS, INSPIRED BY CUBIST ART.

The timelessly, understated and geometrically shapely mixers are the handywork of top designer Kirsi Svard. In keeping with the Oras tradition, the Cubista mixers are not only elegant, but easy to use and high in quality.

The proven cartridge design provides easy control with a metal spindle and handle connection for superior strength. Cubista mixers are fully serviceable, with a range of spare parts for an even longer life. The Cubista range suits all upmarket home, hotel and business environments.

- Cartridge with metal stem for superior strength
- Bright chrome standard finish
- Dual fixing points to help reduce risk of rotation
- Flexible hose connections with reverse thread into mixer body
- 15 year conditional warranty

WATER EFFICIENCY

Enware-Oras Tapware is supplied with your choice of WELS 6 Star (3.4lpm), 5 Star (5.2lpm), 4 Star (6.2lpm) or 3 Star (8lpm) water efficiency ratings.



WaterMark

AS/NZS 3718 C of C 40054
Global-Mark

Enware Tapware is manufactured to the exacting WaterMark standard AS/NZS3718 and AS4020.



TECHNICAL INFORMATION

Inlet Connection:	15 mm (1/2") BSP
Minimum-Maximum Rated Static Pressure:	50 - 1000kPa
Maximum Dynamic Pressure*:	500 kPa max
Maximum Working Temperature^:	80°C

* Installations not complying with AS3500 may affect warranty provisions.

^ Heated Water supply AS/NZS 3500.4. For all sanitary fixtures used primarily for personal hygiene purposes are to deliver heated water not exceeding:

- 45°C for early childhood centres, primary and secondary schools, nursing homes or similar facilities for young, aged, care, sick or people with disabilities (43.5°C - NSW Code of Plumbing Practice).
- 50°C in all other buildings.

modern
timeless
geometric
cubist inspired
stylish

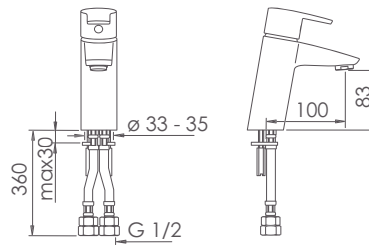
CUBISTA SERIES

CUBISTA BASIN MIXER

- Extended handle option available

Order Code:

SLM806 - 3 Star WELS
SLM806-4 - 4 Star WELS
SLM806-5 - 5 Star WELS
SLM806-6 - 6 Star WELS

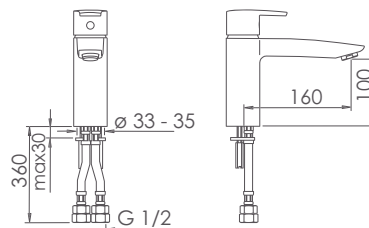


CUBISTA BASIN MIXER – EXTENDED SPOUT

- Extended handle option available

Order Code:

SLM807 - 3 Star WELS
SLM807-4 - 4 Star WELS
SLM807-5 - 5 Star WELS
SLM807-6 - 6 Star WELS

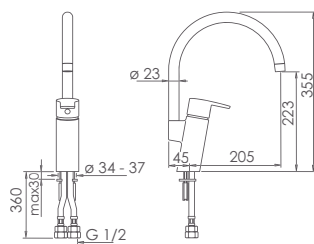


CUBISTA SINK MIXER WITH GOOSE NECK SPOUT

- Includes support bracket for fixing to thin material such as stainless steel bench tops
- Swivel spout - can be restricted to suit corner or centred placement on a sink

Order Code:

SLM809 - 3 Star WELS
SLM809-4 - 4 Star WELS
SLM809-5 - 5 Star WELS
SLM809-6 - 6 Star WELS



CUBISTA SHOWER MIXER

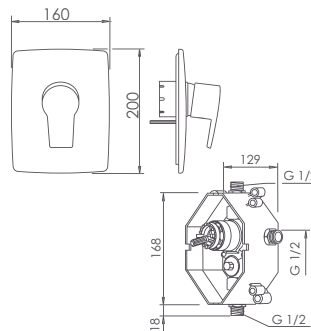
- Supplied with enclosed box for easier installation and servicing

Order Code:

SLM808 - Complete

To order separately:

SLM608B - Body (Behind Wall) Part
SLM808AP - Fascia and Handle Only



CUBISTA SHOWER MIXER WITH BATH DIVERTER

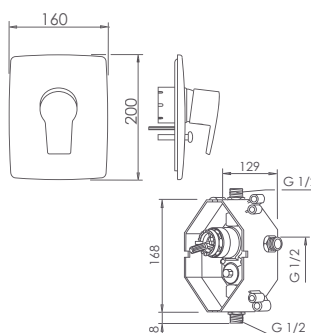
- Supplied with enclosed box for easier installation and servicing
- Pull out button to divert water to bath
- Recommended bath spout SPC201 150mm reach

Order Code:

SLM810 - Complete

To order separately:

SLM608B - Body (Behind Wall) Part
SLM810AP - Fascia, Handle and Button Only



the vega series

THE SMOOTH SEAMLESS STYLE, SYNONYMOUS WITH SCANDINAVIAN DESIGN MAKES THIS MIXER RANGE A MUST FOR YOUR NEXT COMMERCIAL KITCHEN OR BATHROOM INSTALLATION.

Proven cartridge design provides easy control with a metal spindle and handle connection. Dual fixing points help minimise the risk of rotation also enhancing durability. Renown for its strength and unique design, the Vega mixers are fully serviceable, with a range of spare parts for an even longer life.

The Vega handles include easy to see colour indicators, supplied in both Blue/Red and Blue/Yellow for applications requiring "Warm" water identification.

- Cartridge with metal stem for superior strength
- Supplied with Red, Yellow & Blue indicators
- Dual fixing points to help reduce risk of rotation
- Flexible hose connections with reverse thread into mixer body
- Bright chrome standard finish
- 15 year conditional warranty



WATER EFFICIENCY

Enware-Oras Tapware is supplied with your choice of WELS 6 Star (3.4lpm), 5 Star (5.2lpm), 4 Star (6.2lpm) or 3 Star (8lpm) water efficiency ratings.



WaterMark

AS/NZS 3718 C of C 40054
Global-Mark

Enware Tapware is manufactured to the exacting WaterMark standard AS/NZS3718 and AS4020.

TECHNICAL INFORMATION

Inlet Connection:	15 mm (1/2") BSP
Minimum-Maximum Rated Static Pressure:	50 - 1000kPa
Maximum Dynamic Pressure*:	500 kPa max
Maximum Working Temperature^:	80°C

* Installations not complying with AS3500 may affect warranty provisions.

^ Heated Water supply AS/NZS 3500.4. For all sanitary fixtures used primarily for personal hygiene purposes are to deliver heated water not exceeding:
a) 45°C for early childhood centres, primary and secondary schools, nursing homes or similar facilities for young, aged, care, sick or people with disabilities (43.5°C - NSW Code of Plumbing Practice).
b) 50°C in all other buildings.

smooth
seamless
style
scandinavian
design

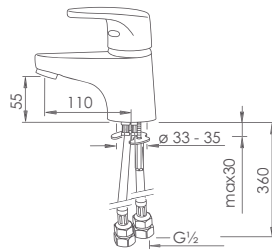
VEGA SERIES

VEGA BASIN MIXER

- Fixed aerated spout
- Copper tail option available

Order Code:

- SLM606** - 3 Star WELS
- SLM606-4** - 4 Star WELS
- SLM606-5** - 5 Star WELS
- SLM606-6** - 6 Star WELS

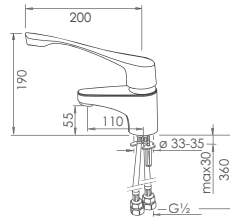


VEGA BASIN MIXER WITH EXTENDED HANDLE

- Suits accessible toilet applications - specifically designed for AS1428 compliance
- Ergonomically and anthropometrically designed handle
- Flexible hose with reverse thread into mixer body
- Fixed aerated spout
- Copper tail option available

Order Code:

- SLM606D** - 3 Star WELS
- SLM606D-4** - 4 Star WELS
- SLM606D-5** - 5 Star WELS
- SLM606D-6** - 6 Star WELS



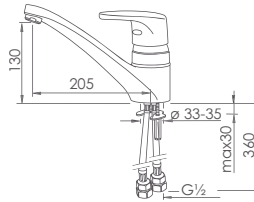
VEGA SINK MIXER

- Includes support bracket for fixing to thin material such as stainless steel bench tops
- Swivel spout - can be restricted to suit corner or centred placement on a sink
- Copper tail option available

Order Code:

- SLM607** - 3 Star WELS
- SLM607-4** - 4 Star WELS
- SLM607-5** - 5 Star WELS
- SLM607-6** - 6 Star WELS

Also available with accessible extended handle: **SLM607D**

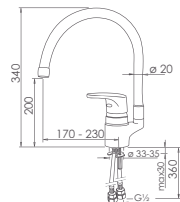


VEGA SINK MIXER WITH GOOSE NECK SPOUT

- Includes support bracket for fixing to thin material such as stainless steel bench tops
- Swivel spout - can be restricted to suit corner or centred placement on a sink
- Handle can also be positioned to the left or right side of the spout

Order Code:

- SLM609** - 3 Star WELS
- SLM609-4** - 4 Star WELS
- SLM609-5** - 5 Star WELS
- SLM609-6** - 6 Star WELS



VEGA SHOWER MIXER

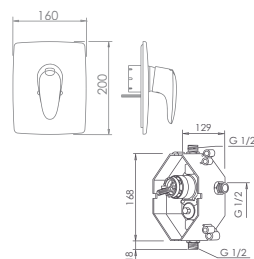
- Supplied with enclosed box for easier installation and servicing

Order Code:

SLM608 - Complete

To order separately:

- SLM608B** - Body (Behind Wall) Part
- SLM608AP** - Fascia and Handle Only



VEGA SHOWER MIXER WITH BATH DIVERTER

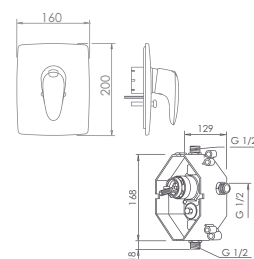
- Supplied with enclosed box for easier installation and servicing
- Pull out button to divert water to bath
- Recommended bath spout SPC201 150mm reach

Order Code:

SLM610 - Complete

To order separately:

- SLM608B** - Body (Behind Wall) Part
- SLM610AP** - Fascia, Handle and Button Only



the viva series

THE ECONOMICAL VIVA RANGE OF MIXERS FROM ENWARE-ORAS FEATURE A MODERN DESIGN, INCORPORATING RELIABLE TECHNOLOGY THROUGH DECADES OF EXPERIENCE.

The easy to use Viva series provides all the reliability, durability and easy water control you would expect from an Enware-Oras mixer at a reasonable price.

The Viva series incorporates the proven cartridge design with a metal spindle and handle connection for superior strength. Dual fixing points also help reduce the risk of rotation. Viva mixers are fully serviceable with a range of spare parts for an even longer life.

- Cartridge with metal stem for superior strength
- Bright Chrome standard finish
- Dual fixing points to help reduce risk of rotation
- Flexible hose connections with reverse thread into mixer body
- 15 year conditional warranty



WATER EFFICIENCY

Enware-Oras Tapware is supplied with your choice of WELS 6 Star (3.4lpm), 5 Star (5.2lpm), 4 Star (6.2lpm) or 3 Star (8lpm) water efficiency ratings.



WaterMark

AS/NZS 3718 C of C 40054
Global-Mark

Enware Tapware is manufactured to the exacting WaterMark standard AS/NZS3718 and AS4020.

TECHNICAL INFORMATION

Inlet Connection:	15 mm (1/2") BSP
Minimum-Maximum Rated Static Pressure:	50 - 1000kPa
Maximum Dynamic Pressure*:	500 kPa max
Maximum Working Temperature^:	80°C

* Installations not complying with AS3500 may affect warranty provisions.

^ Heated Water supply AS/NZS 3500.4. For all sanitary fixtures used primarily for personal hygiene purposes are to deliver heated water not exceeding:

- 45°C for early childhood centres, primary and secondary schools, nursing homes or similar facilities for young, aged, care, sick or people with disabilities (43.5°C - NSW Code of Plumbing Practice).
- 50°C in all other buildings.

single-lever
modern
reliable
easy to use
durable

VIVA SERIES

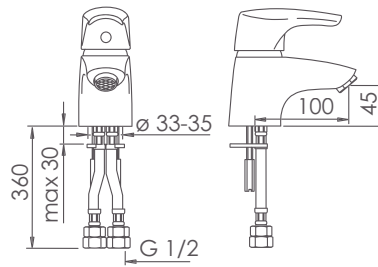
VIVA BASIN MIXER

- Fixed aerated spout
- Copper tail option available

Order Code:

- SLM306A** - 3 Star WELS
- SLM306A-4** - 4 Star WELS
- SLM306A-5** - 5 Star WELS
- SLM306A-6** - 6 Star WELS

Also available with accessible extended handle: SLM306AD

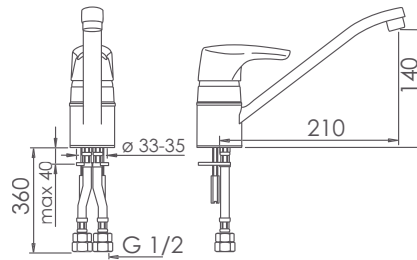


VIVA SINK MIXER

- Includes support bracket for fixing to thin material such as stainless steel bench tops
- Swivel spout - can be restricted to suit corner or centred placement on a sink

Order Code:

- SLM307A** - 3 Star WELS
- SLM307A-4** - 4 Star WELS
- SLM307A-5** - 5 Star WELS
- SLM307A-6** - 6 Star WELS

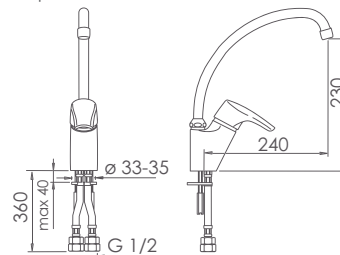


VIVA SINK MIXER WITH GOOSE NECK SPOUT

- Includes support bracket for fixing to thin material such as stainless steel bench tops
- Swivel spout - can be restricted to suit corner or centred placement on a sink
- Handle can also be positioned to the left or right side of the spout

Order Code:

- SLM309A** - 3 Star WELS
- SLM309A-4** - 4 Star WELS
- SLM309A-5** - 5 Star WELS
- SLM309A-6** - 6 Star WELS



VIVA SHOWER MIXER

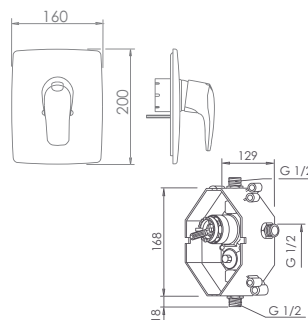
- Supplied with enclosed box for easier installation and servicing

Order Code:

- SLM308A** - Complete

To order separately:

- SLM608B** - Body (Behind Wall) Part
- SLM308AP** - Fascia and Handle Only



VIVA SHOWER MIXER WITH BATH DIVERTER

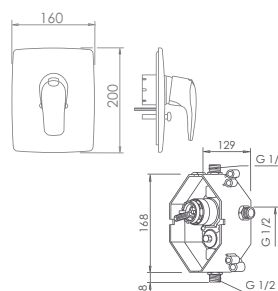
- Supplied with enclosed box for easier installation and servicing
- Pull out button to divert water to bath
- Recommended bath spout SPC201 150mm reach

Order Code:

- SLM310A** - Complete

To order separately:

- SLM608B** - Body (Behind Wall) Part
- SLM310AP** - Fascia, Handle and Button Only



15-YEAR WARRANTY

As part of Enware Australia's commitment to providing quality products we are proud to offer a fifteen year warranty on our Enware-Oras single lever mixer range. This consists of a 2-year parts and labour followed by 3 years cartridge only warranty. Enware provides an additional 10 year cartridge only warranty. For terms and conditions please visit www.enware.com.au

COMMON SPARE PARTS

SLMS690 - Oras Cartridge suits all models

SLMS638 - Cubista Replacement Handle

SLMS695 - Vega Replacement Handle

SLMS634 - Vega Replacement Handle

SLMS696 - Extended Replacement Handle

For a complete range of spare parts please visit www.enware.com.au/oras

SLMS630 - Extended handle stem attachment only

ALSO AVAILABLE FROM ENWARE

ELECTRONIC TAPWARE

Water efficient and hygienic no-touch range of tapware incorporating auto-focus infrared sensing technology for reliable performance. Featuring optional temperature adjustability for user control and comfort.



SHOWERS

Enware offers a range shower roses and hand held shower options to compliment the Enware-Oras range of shower mixer tapware. Bath spouts are also available for diverter models. Visit www.enware.com.au



AQUABLEND SQX™ THERMOSTATIC MIXERS

Australia's first WaterMark certified point of use thermostatic mixers incorporating sequential mix technology. Designed and manufactured in Australia, the Aquablend SQX delivers an advanced choice for safe warm water delivery in higher risk applications such as hospitals and aged care facilities.



AQUABLEND™ TMV RANGE

The Australian made range of thermostatic mixing valves. Warm water solutions for the safe delivery of mixed warm water as required by AS3500.



FRANKE WASHROOM SYSTEMS

Choose from an extensive range of high quality stainless steel solutions including sinks, basins and washroom accessories for commercial applications. Visit www.enware.com.au/franke



IFO SANITARY WARE

Introducing a new choice in sanitary ware with quality Scandinavian design. The basin range features full glaze under and over for superior protection from bacteria growth. Contact Enware for more information.



ENWARE IN BRIEF

Enware is a world-leading Australian designer and manufacturer of quality specialist commercial tapware solutions and safety systems.

Since inception in 1937, Enware Australia has grown significantly. Today, Enware has offices located around the country and is represented in major regions throughout the world including Asia, the Pacific, the Middle East and Europe. As a global leader of specialist tapware and safety systems, Enware offers a more extensive range than any other company on the market.

**SPECIALIST
PLUMBING SOLUTIONS**

**ADAPTABLE WORK
& LIVING SOLUTIONS**

**ENVIRONMENTAL, HEALTH
& SAFETY SOLUTIONS**

**STAINLESS STEEL
WASHROOM SYSTEMS**



ADDRESS: 9 Endeavour Road, Caringbah NSW 2229 Australia

POSTAL ADDRESS: P.O. Box 2545, Taren Point NSW 2229 Australia

PHONE: 61 2 8556 4000

FAX: 61 2 8556 4055

1300 369 273 (AUS) WWW.ENWARE.COM.AU INFO@ENWARE.COM.AU



Quality System
Quality Endorsed Company

ISO 9001:2015
1998-2014