

HYDRUS

ultrasonic water meter

HYDRUS marks a new era in water metering based upon its high accuracy, long life and its versatility.

The advanced Ultrasonic Technology with no moving parts enables long-term metering accuracy with a high degree of protection against manipulation.

HYDRUS also has an integrated radio that delivers secure data transmission to our IZAR radio system immediately after consumption.

Alternatively, HYDRUS can be supplied with hard-wired open system data transmission.

ROBUST DESIGN

- UV-resistant housing with IP68 rating
- Fully encapsulated electronics
- Battery life up to 16 years
- Static system with no moving parts
- Compact and easy to install

ACCURATE METERING

- Improved ultrasonic measuring principle
- Unaffected by foreign particles
- Unaffected by air pockets
- Calculates water consumption accurately

INTELLIGENT TECHNOLOGY

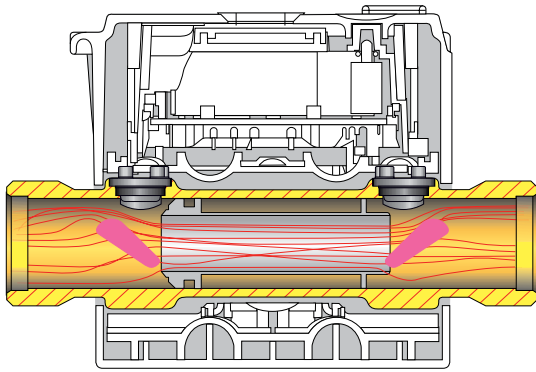
- Integrated radio or cable for data transfer
- Liquid crystal display for local data reading
- Data includes consumption, flow rate, etc
- Data includes temperature and alarms
- Leak detection



The advantages of the new HYDRUS :

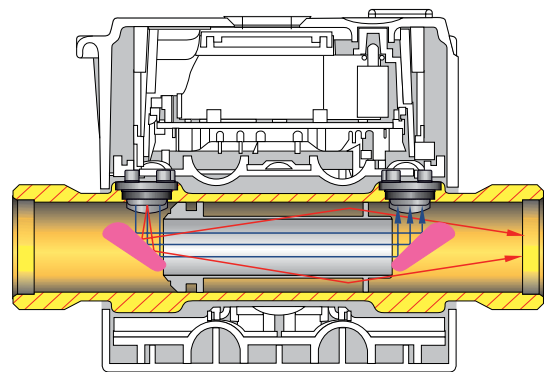
- ✓ Robust and compact design
- ✓ Accurate metering technology, based on the highest development standards
- ✓ Ultrasonic water flow measurement with long term accuracy and stability even under difficult conditions
- ✓ No maintenance required
- ✓ Simple installation

HYDRUS advanced design with ultrasonic technology



Principle of ultrasonic metering

Ultrasonic signals are sent consecutively in both directions of flow. The time difference between the received signals is used to calculate the volume at short intervals



Stable flow measurement

The intelligent free-beam system eliminates noise signals and measuring errors. The swirl-free-flow design gives dirt, scale and sand no chance of settling in the meter, which ensures the accurate measurement for many years.

EXCELLENT METERING WITH INTEGRATED COMMUNICATION

The consumption data can be read continuously by radio or cable over an intelligent metering infrastructure using the high communication capability of HYDRUS.

The development of the first ultrasonic water meter with integrated radio module by DIEHL Metering is a step into a new age of metering.

Supply companies can now also read water meters automatically. Its unlimited system capability and compatibility make HYDRUS perfect for smart metering.

The uncomplicated data transmission via radio or cable shows the way to "online" energy data management of the future.

As usual, the customer receives the complete infrastructure from Enware and DIEHL Metering – from development, manufacture and project management to reliable long-term management.



HYDRUS sends accurate metering data to your PC

TECHNICAL DATA

Approval	NMI R49, AS3565
Sizes	15mm & 20mm
Protection Class	IP68
Installation Positions	All positions possible

SPECIALIST
PLUMBING SOLUTIONS

ADAPTABLE WORK
& LIVING SOLUTIONS

ENVIRONMENTAL, HEALTH
& SAFETY SOLUTIONS

STAINLESS STEEL
WASHROOM SYSTEMS

HYDROMETER
a member of
DIEHL
Metering

ENWARE
AUSTRALIA PTY LIMITED

1300 369 273 (AUS) WWW.ENWARE.COM.AU INFO@ENWARE.COM.AU

ADDRESS: 9 Endeavour Road
Caringbah NSW 2229 Australia
POSTAL ADDRESS: P.O. Box 2545
Taren Point NSW 2229 Australia
PHONE: 61 2 9525 9511
FAX: 61 2 9525 9536

