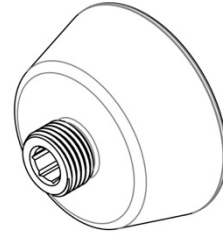


Spare Parts: Offset Wall Inlet (Also Suits Lev)Ea

Offset wall inlet fitting suitable for Aquablend SQX Surgeon Mixer and Leva Wall Mixing Set.

KEY FEATURES

- Wall inlet fitting with adjustable water inlet positions on wall Provides up to +/-36mm adjustability (pair)
- Suitable for Leva Wall Mixing Set
- Suitable for Aquablend SQX Surgeon Mixer (use with inlet flange ATMS671)



PRODUCT CODE

ATMS670

OFFSET WALL INLET (ALSO SUITS
LEV)EA

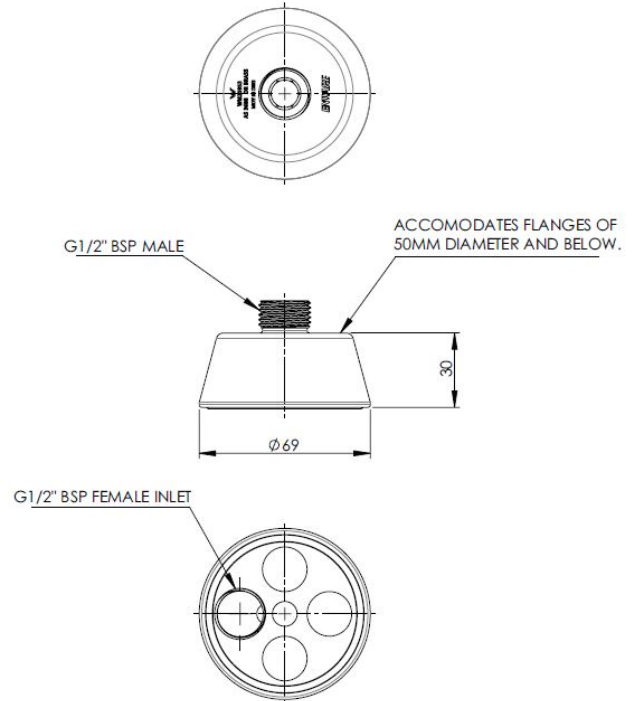
Due to ongoing Research and Development, specifications may change without notice.
Component specifications may change on some export models.
Refer to warranty statement for warranty details - www.enware.com.au/warranty.



Spare Parts: Offset Wall Inlet (Also Suits Lev)Ea

TECHNICAL DATA

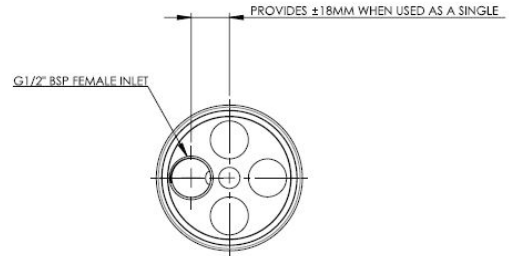
Maximum Working Temperature	55°C
Maximum Working Pressure	1600kPa
Inlet Connection	1/2" BSP female



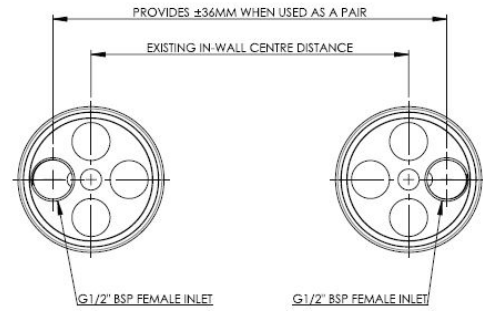
Spare Parts: Offset Wall Inlet (Also Suits Lev)Ea

TECHNICAL DATA

OFFSET DETAILS



SINGLE

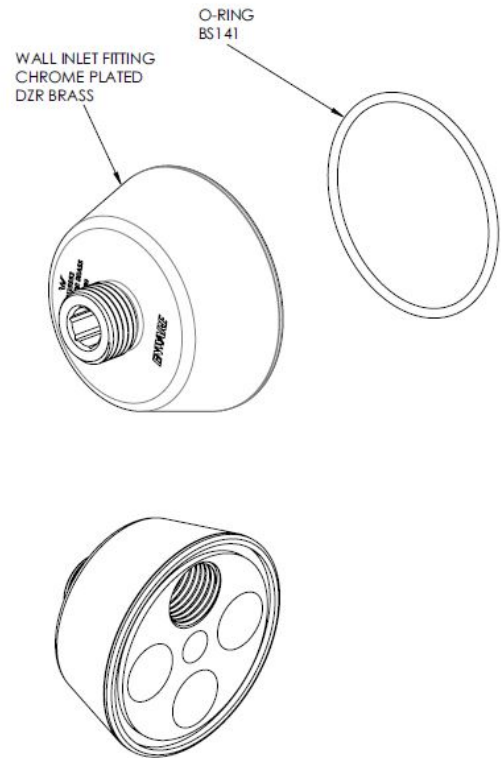


PAIR

(NEED TO PURCHASE 2X ATMS670 WHEN A PAIR IS REQUIRED)

Spare Parts: Offset Wall Inlet (Also Suits Lev)Ea

TECHNICAL DATA



SPARE PARTS

ATMS670	Spare Parts: Offset Wall Inlet (Also Suits Lev)Ea
---------	---