

Amara Basin Mixer

The Amara single lever mixer range has been designed for health, aged care as well as public spaces.

When it comes to transitioning from the familiar home environment to an unfamiliar aged care environment, it can be challenging. The Amara range of single lever mixers brings a sense of style to the independent living or aged care accommodation space helping residents feel more comfortable about their new home. Functionality that is familiar to the resident in the ensuite is of equal importance to style.

Amara range - a blend of familiarity, style and function.

KEY FEATURES

- Forward incline design - Allows a mirror to be installed behind the tap
- Highly visible colour indicators
- Easy to use, easy to hold handle design
- Metal chrome plated handle
- Easy to operate ceramic disc cartridge
- Flexibility is provided to the facility by the inclusion of handles with blue/red and blue/yellow indicators
- Lead Free brass
- Neoperl supply hoses - robust and highly flexible
- Includes 5 Star WELS (6 lpm) laminar aerator (fitted), 5 Star (5.5 lpm) and 6 Star WELS (3 lpm) aerators (supplied in carton)



PRODUCT CODE

AMA306

Amara Basin Mixer



Products are to be installed in accordance with the Plumbing Code of Australia and AS/NZS3500. Reference should also be made to the Australasian Health Facility Guidelines (AHFG), ABCB and Local Government regulations when considering the choice of, and the installation of these products.

This product is compliant with the Lead Free requirements of NCC Volume Three.

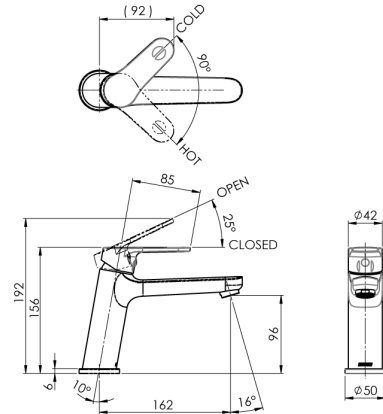
Due to ongoing Research and Development, specifications may change without notice. Component specifications may change on some export models.

Refer to warranty statement for warranty details - www.enware.com.au/warranty.

Amara Basin Mixer

TECHNICAL DATA

Maximum Recommended Temperature	70°C
Minimum Recommended Pressure	100kPa
Maximum Recommended Pressure	800kPa
Inlet Connection	1/2" BSP



Blue/Red and Blue/Yellow colour indicator handles included

SPARE PARTS

AMAS-003	Lever Handle - Amara (Red/Blue) with grub screw and handle plug
AMAS-004	Lever Handle - Amara (Yellow/Blue) with grub screw and handle plug
AMAS-005	Handle grub screw and handle plug (pack of 10) suit Amara
AMAS-006	Cover Cap and Cartridge Retaining Nut suit Amara
AMAS-026	Cartridge 35mm suit AMA306/AMA306D
AMAS-008	Aerator 5 star laminar 5.7 L/min (40.2152.000)
AMAS-022	Aerator 6 star 3.8 L/min (40.1058.000)
AMAS-023	Aerator 5 star - 5.5 L/min (40.1052.000)
AMAS-009	Flange base for AMA306 basin mixer
AMAS-010	Fixing kit Amara
AMAS-011	Inlet hose - hot 450 x M10 DN6
AMAS-012	Inlet hose - cold 450 x M10 DN6

