

Aquablend Health Point-of-Use TMV Four Way Mixer with WB 65mm Lever Handle

The New Aquablend Health TMV delivers an all new approach to hygiene, safety and convenience for Health Care and Aged Care Ensuites. The Aquablend Health TMV is a point of use (POU) thermostatic mixing valve coupled with a unique 4-way mixer allowing the user to easily and safely mix water for showering at the desired temperature from Cold through to Full Warm. Simultaneously, pre-mixed warm and/or cold water can be delivered to adjacent fixtures. The benefit of this design is by increasing the flow through the Thermostatic Mixer, it comes up to full operating temperature and maximum flow more regularly, thereby helping to reduce the risk of legionella and other waterborne bacteria developing.



KEY FEATURES

- Point-of-Use TMV coupled with a unique 4 way mixer - supplies mixed and/or cold water to additional fixtures - ideal for Ensuites
- Wellbeing 65mm lever handle
- Sequential Ceramic Disc Mixing Cartridge ensures ultimate control with cold start up and stop
- Low lead content brass for peace of mind and bacteria control
- Attractive, chrome wall plate and 80mm Leva Handle ensures ease of use and cleaning
- Faceplate can be removed for easy access to TMV and mixer components for servicing
- Matches with the Enware Wellbeing range
- Compact wall box allows easy access for servicing
- Suitable for Smartflow connection (requires connection kit)

PRODUCT CODES

ATMHE608-WB65SQ	Point-of-Use TMV Four Way Mixer with 65mm Lever Handle (Front-of-Wall and Back-of-Wall Components)
ATMHE-WB65SQ-FOW	Front of Wall Component Only
ATMHE608-BOW	Back of Wall Component Only



Products are to be installed in accordance with the Plumbing Code of Australia and AS/NZS3500. Reference should also be made to the Australasian Health Facility Guidelines (AHFG), ABCB and Local Government regulations when considering the choice of, and the installation of these products.

Due to ongoing Research and Development, specifications may change without notice. Component specifications may change on some export models.

Refer to warranty statement for warranty details - www.enware.com.au/warranty.

Low Lead (0.25% actual) Content Brass is used for the Health TMV and 4 way mixer.

Watermark Certification for AS4032 applies to TMV component of this product. Watermark Certification for AS3718 applies to Mixer component.

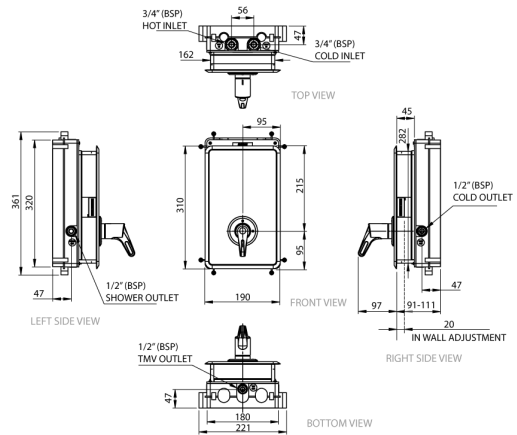
Aquablend Health Point-of-Use TMV Four Way Mixer with WB 65mm Lever Handle

TECHNICAL DATA

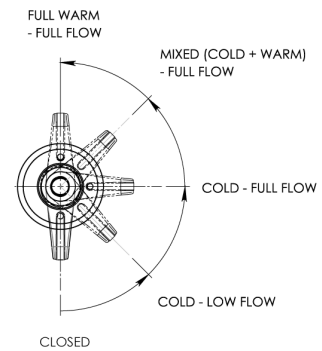
Thermostatic Temperature Range	Min 35°C Max 48°C (+/- 2°C) Set during installation/ commissioning
Dynamic Inlet Pressures*	Min 20 kPa Max 500 kPa
Static Inlet Pressure	Max. 1000kPa For testing purposes/ system commissioning
Hot Temperature Supply Range	Min 55°C Max 90°C
Cold Temperature Supply Range ^	Min 5°C Max 30°C
Minimum Temperature Differential	10°C Between hot supply and outlet mix temperature, required to ensure correct function of valve
Minimum Flow Rate	4 L/min
Maximum Flow Rate - Thermostatic Mixing Valve	23 L/min @300 kPa pressure loss as per flow sizing Graph
Inlet Connections	3/4" BSP (20mm)
Outlet Connections	1/2" BSP (15mm)

* AS3500.4-2021 Clause 10.4.2 - 10% maximum dynamic pressure differential between hot and cold supplies

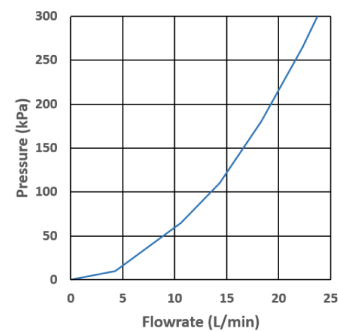
^ Where cold inlet temperature may exceed recommended range due to seasonal variation, a 5°C temperature differential between the inlet cold supply and outlet mixed temperature setting must be maintained.



HANDLE POSITIONS



PRESSURE LOSS vs FLOW RATE



OPTIONAL ACCESSORIES

SFM-HE01	Smart Single Probe for ESQX / Health TMV
----------	--