

Aquablend Restore Thermostatic Sequential Wall Mixer - Front-of-Wall Assembly

Enware's Restore SQ range of Mental Health Secure Ensuite basin and shower mixers help to normalise the bathroom environment while providing safe, secure and comforting experiences.

Supplied as Front-of-Wall and Back-of-Wall Assemblies.

KEY FEATURES

- Thermostatic POU hybrid mixer with warm and cold water supply for adjacent ensuite fixtures
- Designed to promote good water health with sequential style mixing always closing through the cold position
- Lead-Free Brass Mixer is easy to install in its in-wall installation box with variable depth adjustment
- Front of wall surround can be permanently fixed and sealed to wall. Access for maintenance is made through secure removeable fascia, avoiding wall damage or breaching of wall seal.
- Normalized shower mixer design to assist rehabilitation with easy to clean bright chrome finish
- Patient safety at the heart of the design with anti-ligature handle tested to TS001:2013 (Grade A4)
- Robust design for challenging environments with IK10 impact tested front-of-wall construction
- Low profile ergonomic handle for easy temperature adjustment and water control
- Supplied as Front of Wall (FOW) and Back of Wall (BOW) assemblies for easy installation



PRODUCT CODE

ATMRHSQ-FOW	Aquablend Restore Thermostatic Sequential Wall Mixer - Front-of-Wall Assembly
-------------	---



Products are to be installed in accordance with the Plumbing Code of Australia and AS/NZS3500. Reference should also be made to the Australasian Health Facility Guidelines (AHFG), ABCB and Local Government regulations when considering the choice of, and the installation of these products.

This product is compliant with the Lead Free requirements of NCC Volume Three.

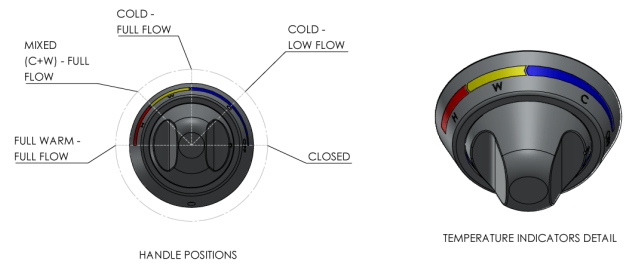
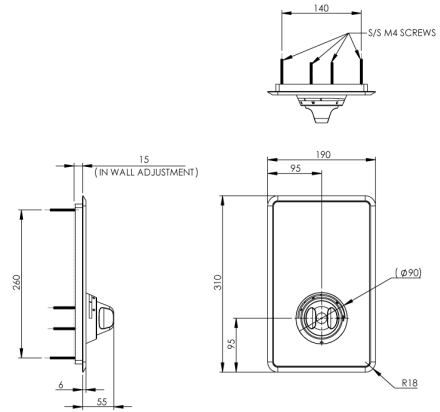
Due to ongoing Research and Development, specifications may change without notice. Component specifications may change on some export models.

Refer to warranty statement for warranty details - www.enware.com.au/warranty.

Aquablend Restore Thermostatic Sequential Wall Mixer - Front-of-Wall Assembly

TECHNICAL DATA

Finish	Chrome
Facia Plate Material Grade	Stainless Steel
Requires Back-of-Wall Component ATMHE608RH-BOW	



BACK OF WALL COMPONENT

ATMHE608RH-BOW	Aquablend Restore Thermostatic Sequential Wall Mixer - Back-of-Wall Assembly
----------------	--