

Type 45 Upright Fountain - Lever Action

Enware's self-closing drinking fountains and bubblers are constructed from dezincification resistant (DR) brass and are WaterMark Licensed to AS 3718. The unique valve design provides an effective, low maintenance mechanism for a range of flow conditions. The tapware and bubblers are serviceable with all wearing components replaceable, thus providing a longer life.

KEY FEATURES

- Vandal resistant design
- Durable chrome plated finish
- Self-closing mechanism
- Integral adjustable flow regulator
- DR Brass construction
- Lead free



PRODUCT CODE

BUB206L

Type 45 Upright Fountain - Lever Action



Products are to be installed in accordance with the Plumbing Code of Australia and AS/NZS3500. Reference should also be made to the Australasian Health Facility Guidelines (AHFG), ABCB and Local Government regulations when considering the choice of, and the installation of these products.

This product is compliant with the Lead Free requirements of NCC Volume Three.

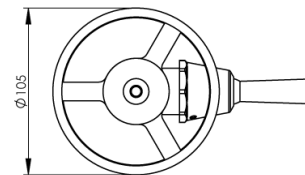
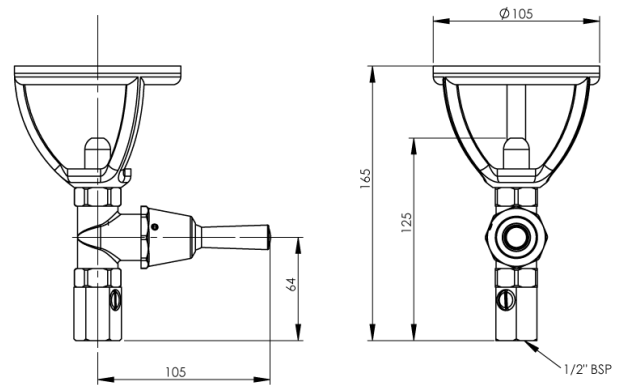
Due to ongoing Research and Development, specifications may change without notice. Component specifications may change on some export models.

Refer to warranty statement for warranty details - www.enware.com.au/warranty.

Type 45 Upright Fountain - Lever Action

TECHNICAL DATA

WELS Category	Tapware
WELS Flow Rate	2 L/min (6 Stars)
Valve Type	Spring Action
Operating Temperature	Min 5°C Max 30°C
Recommended Pressure	Min 100kPa Max 500kPa
Inlet Connection	1/2" BSP Female



SPARE PARTS

BUB260L	Spare Parts: Stuffing Box Assembly - Lever Action
BUB262	Spare Parts: Spring Action Top Assembly - Lever Action
BUB221L	Spare Parts: Bubbler Dome - Lever/Button Action
BUB289	Spare Parts: Spring Action Service Kit - Post 1997
MIS595RYB	Spare Parts: Indicator Button Kit - Hot / Cold / Warm - Stick On
BUB256	Spare Parts: Bubbler Regulator Cap Cp
BUB257	Spare Parts: Bubbler Regulator - Screw