

White Double Flap Soft Close Seat for CARE700 Toilets

White Double Flap Soft Close Seat for CARE700 Toilets

KEY FEATURES

- Suitable for Freestanding toilet suites CARE1546 and CARE700 Series
- Soft Close for quiet and soft closing
- Quick Release - easy to take off for simplified cleaning



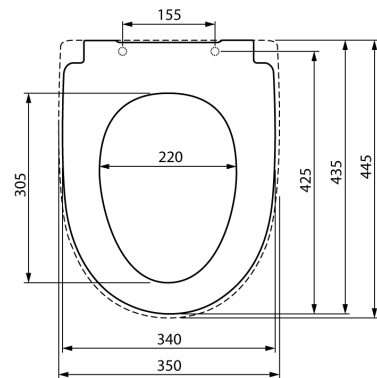
PRODUCT CODE

CARE-S023

White Double Flap Soft Close Seat for
CARE700 Toilets

SPARE PARTS

CARE-S017	Spare Part: CARE700 Seat Hinge Kit for Standard Soft Close Seat - No Arms
CARE-S026	Spare Part: CARE700 Buffer for Double Flap Soft Close Toilet Seat



Due to ongoing Research and Development, specifications may change without notice.
Component specifications may change on some export models.
Refer to warranty statement for warranty details - www.enware.com.au/warranty.