

Grey Double Flap Family Soft Close Seat for CARE700 Toilets

Grey double flap family soft close quick release seat for CARE700 Toilets

KEY FEATURES

- Suitable for Freestanding toilet suites CARE1546 and CARE700 Series
- Soft Close for quiet and soft closing
- Quick Release - easy to take off for simplified cleaning
- Seat ring that fits both young and adult users
- Made from high-grade hardened plastic
- Robust seat buffers - minimise noise
- Extra stabilising lugs - prevents unwanted movement for enhanced seat stability and reliability
- Manhattan Grey



PRODUCT CODE

CARE-S031

Grey Double Flap Family Soft Close Seat for CARE700 Toilets

Grey Double Flap Family Soft Close Seat for CARE700 Toilets

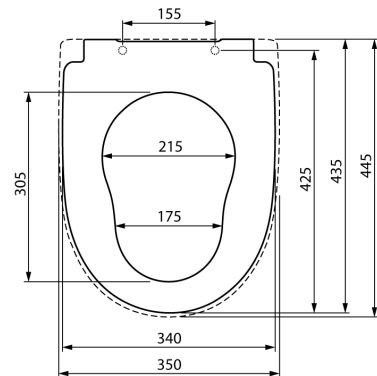
TECHNICAL DATA

Hinge Material	Stainless Steel
----------------	-----------------

ASSEMBLING & CARE

See the enclosed assembly instructions.

Use soapy water or a mild cleaning agent. Never use chlorine-based or abrasive cleaners. Then wipe with a clean cloth. Wipe away limescale and urine stains under the seat ring so they don't become ingrained. If the stain doesn't come off, rub repeatedly with warm soapy water using a soft cloth. Do not spray cleaning agents directly onto the seat, as internal components may be damaged. Use a soft cloth for wiping. Hard seats may develop surface wear under the seat ring if cleaning intervals are too long. These can possibly be refreshed with a light polish using car polish without abrasives on a soft cloth. Make it a habit to leave the lid and seat up after cleaning the toilet bowl so that detergent and water have a chance to dry.



COMPATIBLE TOILET

CARE1546-RH	Care 700 Series Toilet S-Trap Raised Height
-------------	---

SPARE PARTS

CARE-S030	CARE700 Seat Hinge Kit for Soft Close Seats
-----------	---



Due to ongoing Research and Development, specifications may change without notice.
Component specifications may change on some export models.
Refer to warranty statement for warranty details - www.enware.com.au/warranty.