

# Care 700 Series Close-Coupled Toilet S-Trap Raised Height with White Care Seat

CARE700WDF-RH is a freestanding close coupled toilet, designed with your comfort in mind. Featuring a raised height pan, this toilet provides greater ease and convenience for users. Perfect for those seeking independent living - both assisted and unassisted - elderly individuals, or people with disabilities or mobility challenges, this toilet offers a comfortable solution for everyday needs. The elevated height reduces the effort required to sit down or stand up, making it an ideal choice for those recovering from hip or knee surgery.

The sleek design seamlessly integrates into any bathroom décor, while the innovative smooth curves simplify cleaning and help prevent the buildup of dirt, improving hygiene. The toilet is constructed from high-quality vitreous china with Ceramicplus (C+) for durability, longevity, and quick cleaning - ensuring a reliable and functional bathroom fixture for years to come.

Featuring smarter Hygienic Flush open rim flushing for improved hygiene and easier cleaning, and a space-saving 45-degree installation, the CARE700WDF-RH is ideal for Aged Care, Independent Living, and Residential applications.

The CARE700WDF-RH is equipped with Care seat and lid.

## KEY FEATURES

- Made from hygienic, durable and tightly vitrified china with embedded treatment Ceramicplus (C+)
- Hygienic flush - open flush rim edge for simplified cleaning and a flush that reaches all the way for improved hygiene
- Fully glazed on back and inside open rim to avoid bacteria growth
- Raised height of 485mm with seat for better comfort
- Free standing space saving toilet suite, suitable for installation into a corner
- Allows for undisturbed coving seal
- Flush volume 4.5/ 3L WELS 4 Star
- Quiet refilling
- White double flap Care toilet seat included. (Code: CARESEAT-WDF)
- If retrofitting arms, an additional hinge is required. (code: CARE-S027)
- Toilet pan fixed to the floor using 4 stainless steel pan screws (supplied) or add the unique SecureFix floor fixing accessory for a secure floor fit, without compromising waterproofing



## PRODUCT CODE

CARE700WDF-RH Care 700 Series Close-Coupled Toilet S-Trap Raised Height with White Care Seat



# Care 700 Series Close-Coupled Toilet S-Trap Raised Height with White Care Seat

## TECHNICAL DATA

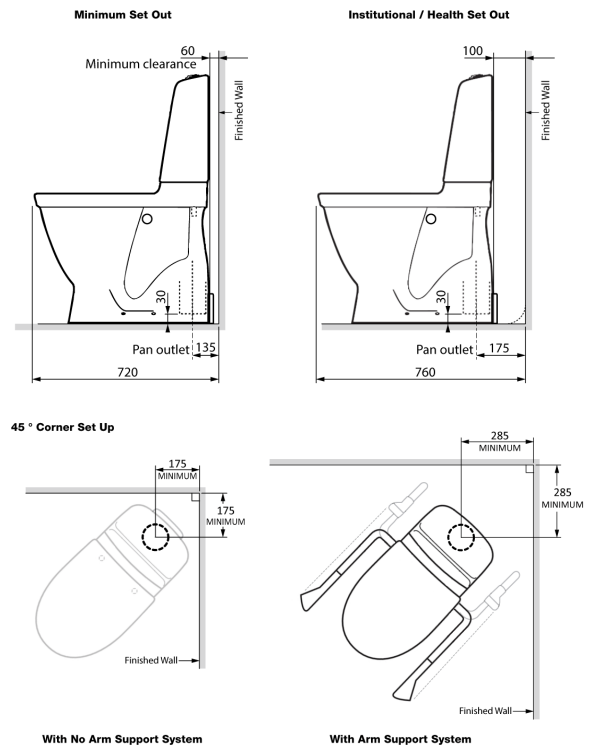
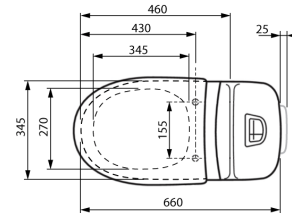
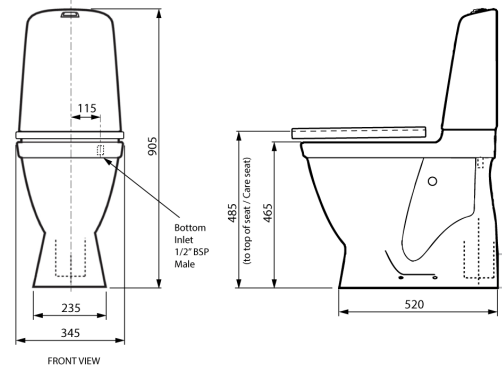
Water Supply Inlet Pressure	Min. 50 kPa - Max. 500 kPa
Inlet Connection	1/2" BSP
Water Inlet Connection Method	Bottom Inlet
Outlet Connection	DN100 DWV PVC Pan Collar
Flush Volume	4.5L Full Flush / 3L Half Flush (WELS 4 Star)
Pan Load Rating	800 kg

## OPTIONAL ACCESSORIES

CARE-WCFFP	SecureFit Floor Mounting Bracket Kit for CARE700 Free Standing Toilets
CAREARM	Care Support Arms for Care 700 Series Toilets
CARE-TRH	Toilet Roll Holder Single suits CAREARM for CARE700 Toilets
CARE-S027	Spare Parts: CARE700 Seat Hinge Kit for CARESEAT
CAREARM3	Care Support Arms: Aluminium with grey handles, toilet roll holders, for Care 700 Series Toilets
CAREARM3-XR	Care Support Arms - Aluminium with Grey Handles and Toilet Roll Holders for Care 700 Series Toilets - with Nurse Call Right
CAREARM3-XL	Care Support Arms - Aluminium with Grey Handles and Toilet Roll Holders for Care 700 Series Toilets - with Nurse Call Left

## SPARE PARTS

CARESEAT-WDF	Care Seat: White double flap care seat, for CARE700 Toilets
CARE-S001	Spare Part: CARE700 Complete Inner Tank for Cistern Tank
CARE-S002	Spare Part: CARE700 Cistern Cover Ceramic White
CARE-S003	Spare Part: CARE700 Valve housing, Flush valve for cistern
CARE-S004	Spare Part: CARE700 Fill valve for cistern
CARE-S006	Spare Part: CARE700 Inlet Valve Washer Kit
CARE-S007	Spare Part: CARE700 Raised dual flush button chrome
CARE-S012	Spare Part: CARE700 Floor fixing screws pack
CARE-S013	Spare Part: CARE700 Outlet Valve Seal Washer
CARE-S015	Spare Part: CARE700 Cistern fixing kit
CARE-S027	Spare Parts: CARE700 Seat Hinge Kit for CARESEAT



Due to ongoing Research and Development, specifications may change without notice. Component specifications may change on some export models. Refer to warranty statement for warranty details - [www.enware.com.au/warranty](http://www.enware.com.au/warranty).

Products are to be installed in accordance with the Plumbing Code of Australia and AS/NZS3500. Reference should also be made to the Australasian Health Facility Guidelines (AHFG), ABCB and Local Government regulations when considering the choice of, and the installation of these products.