

# Care 720 Raised Height Toilet, S Trap, Double Flap White Care Seat, White Support Arms

CARE720WDF-RH is a freestanding close coupled toilet, designed with your comfort in mind. Featuring a raised height pan, this toilet provides greater ease and convenience for users. Perfect for those seeking independent living both assisted and unassisted elderly individuals, or people with disabilities or mobility challenges, this toilet offers a comfortable solution for everyday needs. The elevated height reduces the effort required to sit down or stand up, making it an ideal choice for those recovering from hip or knee surgery.

The sleek design seamlessly integrates into any bathroom décor, while the innovative smooth curves simplify cleaning and help prevent the buildup of dirt, improving hygiene. The toilet is constructed from high-quality vitreous china with Ceramicplus (C+) for durability, longevity, and quick cleaning ensuring a reliable and functional bathroom fixture for years to come.

Featuring smarter Hygienic Flush open rim flushing for improved hygiene and easier cleaning, and a space-saving 45-degree installation, the CARE720WDF-RH is ideal for Aged Care, Independent Living, and Residential applications.

The CARE720WDF-RH is equipped with a Care seat and lid and support arms.

## KEY FEATURES

- Freestanding toilet, double flap white Care toilet seat (Code: CARESEAT-WDF), hinge (Code: CARE-S027) and easy to install white support arms (Code: CAREARM)
- Toilet made from hygienic, durable and tightly vitrified China with embedded treatment Ceramicplus (C+)
- Comes standard with raised dual flush button
- Hygienic flush - open flush rim edge for simplified cleaning and a flush that reaches all the way for improved hygiene
- Fully glazed on back and inside open rim to avoid bacteria growth
- Raised height of 485mm with seat for better comfort
- Free standing space saving toilet suite, suitable for installation into a corner
- Allows for undisturbed coving seal
- Flush volume 4.5/ 3L WELS 4 Star
- Quiet refilling
- Toilet pan fixed to the floor using 4 stainless steel pan screws (supplied) or add the unique SecureFix floor fixing accessory for a secure floor fit, without compromising waterproofing
- Support arms individually raise up and back for full access
- Optional toilet roll holder available



## PRODUCT CODE

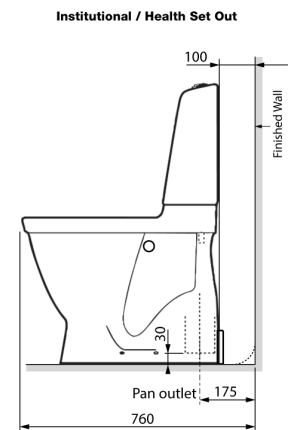
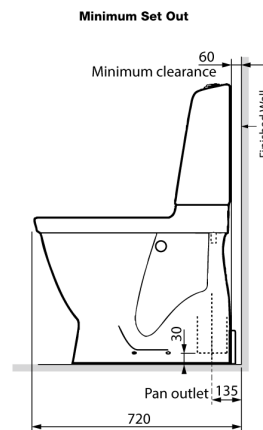
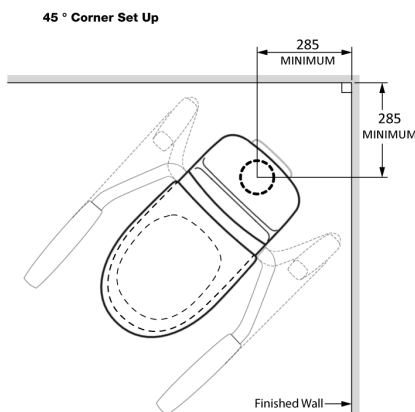
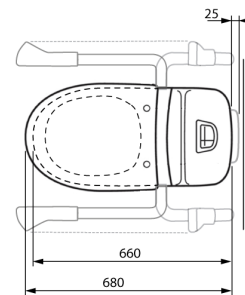
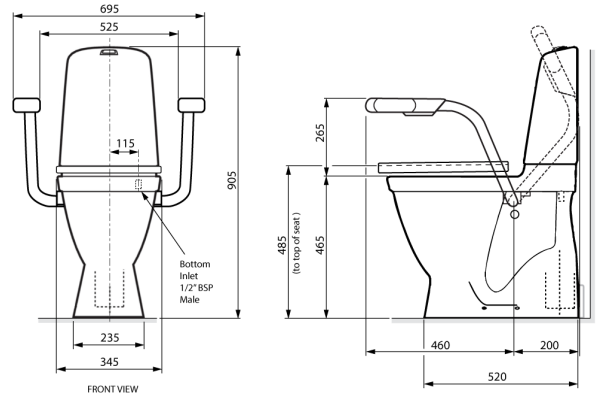
CARE720WDF-RH Care 720 Raised Height Toilet, S Trap, Double Flap White Care Seat, White Support Arms



# Care 720 Raised Height Toilet, S Trap, Double Flap White Care Seat, White Support Arms

## TECHNICAL DATA

Water Supply Inlet Pressure	Min. 50 kPa - Max. 500 kPa
Inlet Connection	1/2" BSP
Water Inlet Connection Method	Bottom Inlet
Outlet Connection	DN100 DWV PVC Pan Collar
Flush Volume	4.5L Full Flush / 3L Half Flush (WELS 4 Star)
Pan Load Rating	800 kg
CAREARM Load Rating	150 kg



Due to ongoing Research and Development, specifications may change without notice. Component specifications may change on some export models.

Refer to warranty statement for warranty details - [www.enware.com.au/warranty](http://www.enware.com.au/warranty).

Products are to be installed in accordance with the Plumbing Code of Australia and AS/NZS3500. Reference should also be made to the Australasian Health Facility Guidelines (AHFG), ABCB and Local Government regulations when considering the choice of, and the installation of these products.

# Care 720 Raised Height Toilet, S Trap, Double Flap White Care Seat, White Support Arms

## OPTIONAL ACCESSORIES

CARE-WCFFP	SecureFit Floor Mounting Bracket Kit for CARE700 Free Standing Toilets
CAREARM-WDF	Care Support Arms with White Double Flap Seat for Care 700 Series Toilets
CARE-TRH	Toilet Roll Holder Single suits CAREARM for CARE700 Toilets