

# Care 721 Raised Height Toilet, S Trap, Double Flap Black Soft Close Seat, Grey Support Arms

CARE721BSC-RH is a freestanding close coupled toilet, designed with your comfort in mind. Featuring a raised height pan, this toilet provides greater ease and convenience for users. Perfect for those seeking independent living - both assisted and unassisted - elderly individuals, or people with disabilities or mobility challenges, this toilet offers a comfortable solution for everyday needs. The elevated height reduces the effort required to sit down or stand up, making it an ideal choice for those recovering from hip or knee surgery.

The sleek design seamlessly integrates into any bathroom décor, while the innovative smooth curves simplify cleaning and help prevent the buildup of dirt, improving hygiene. The toilet is constructed from high-quality vitreous china with Ceramicplus (C+) for durability, longevity, and quick cleaning - ensuring a reliable and functional bathroom fixture for years to come.

Featuring smarter Hygienic Flush open rim flushing for improved hygiene and easier cleaning, and a space-saving 45-degree installation, the CARE721BSC-RH is ideal for Aged Care, Independent Living, and Residential applications.

The CARE721BSC-RH is equipped with a soft close seat and support arms.



## PRODUCT CODE

CARE721BSC-RH Care 721 Raised Height Toilet, S Trap, Double Flap Black Soft Close Seat, Grey Support Arms



## KEY FEATURES

- Includes SERIES 700 toilet suite, black double flap soft close seat (Code: CARE-S024), hinge (Code: CARE-S030) and set of aluminium support arms (Code: CAREARM)
- Toilet Suite is made from hygienic, durable and tightly vitrified china with embedded treatment Ceramicplus (C+)
- Hygienic flush - open flush rim edge for simplified cleaning and a flush that reaches all the way for improved hygiene
- Fully glazed on back and inside open rim to avoid bacteria growth
- Raised height of 485mm with seat for better comfort
- Free standing space saving toilet suite, suitable for installation into a corner
- Allows for undisturbed coving seal
- Flush volume 4.5/ 3L WELS 4 Star
- Quiet refilling
- Soft Close Black Double Flap quick release toilet seat included
- Toilet pan fixed to the floor using 4 stainless steel pan screws (supplied) or add the unique SecureFix floor fixing accessory for a secure floor fit, without compromising waterproofing

# Care 721 Raised Height Toilet, S Trap, Double Flap Black Soft Close Seat, Grey Support Arms

## TECHNICAL DATA

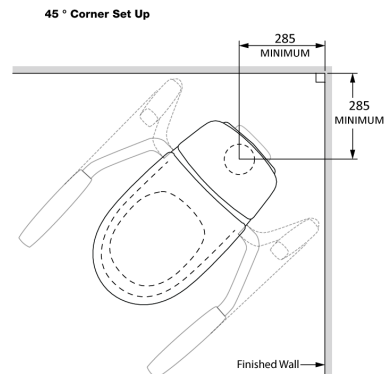
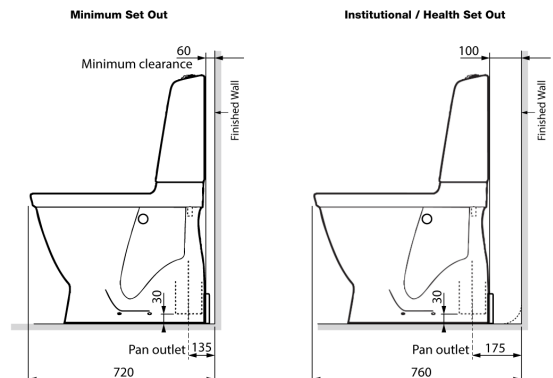
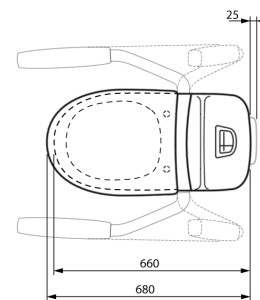
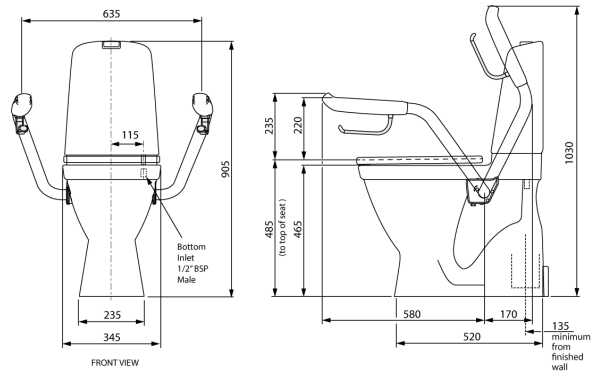
|                               |   |
|-------------------------------|---|
| Water Supply Inlet Pressure   | Min. 50 kPa - Max. 500 kPa                    |
| Inlet Connection              | 1/2" BSP                                      |
| Water Inlet Connection Method | Bottom Inlet                                  |
| Outlet Connection             | DN100 DWV PVC Pan Collar                      |
| Flush Volume                  | 4.5L Full Flush / 3L Half Flush (WELS 4 Star) |
| Pan Load Rating               | 800 kg  |
| CAREARM3 Load Rating          | 150 kg  |

## OPTIONAL ACCESSORIES

|            |  |
|------------|--|
| CARE-WCFFP | SecureFit Floor Mounting Bracket Kit for CARE700 Free Standing Toilets |
|------------|--|

## SPARE PARTS

|           |  |
|-----------|--|
| CARE-S024 | Black Double Flap Soft Close Seat for CARE700 Toilets  |
| CARE-S001 | Spare Part: CARE700 Complete Inner Tank for Cistern Tank   |
| CARE-S002 | Spare Part: CARE700 Cistern Cover Ceramic White  |
| CARE-S003 | Spare Part: CARE700 Valve housing, Flush valve for cistern                                       |
| CARE-S004 | Spare Part: CARE700 Fill valve for cistern   |
| CARE-S006 | Spare Part: CARE700 Inlet Valve Washer Kit   |
| CARE-S007 | Spare Part: CARE700 Raised dual flush button chrome  |
| CARE-S012 | Spare Part: CARE700 Floor fixing screws pack   |
| CARE-S013 | Spare Part: CARE700 Outlet Valve Seal Washer   |
| CARE-S015 | Spare Part: CARE700 Cistern fixing kit   |
| CARE-S026 | Spare Part: CARE700 Buffer for Double Flap Soft Close Toilet Seat                                |
| CARE-S030 | Spare Parts: CARE700 Seat Hinge Kit for Soft Close Seats   |
| CARE-S033 | Spare Part: CARE700 Stainless Steel Nut-M8 cylinder  |
| CAREARM3  | Care Support Arms: Aluminium with grey handles, toilet roll holders, for Care 700 Series Toilets |



Due to ongoing Research and Development, specifications may change without notice. Component specifications may change on some export models.

Refer to warranty statement for warranty details - [www.enware.com.au/warranty](http://www.enware.com.au/warranty).

Products are to be installed in accordance with the Plumbing Code of Australia and AS/NZS3500. Reference should also be made to the Australasian Health Facility Guidelines (AHFG), ABCB and Local Government regulations when considering the choice of, and the installation of these products.