

# Care 721 Raised Height Toilet, S Trap, Double Flap White Soft Close Seat, Grey Support Arms

CARE721WSC-RH is a freestanding close coupled toilet, designed with your comfort in mind. Featuring a raised height pan, this toilet provides greater ease and convenience for users. Perfect for those seeking independent living - both assisted and unassisted - elderly individuals, or people with disabilities or mobility challenges, this toilet offers a comfortable solution for everyday needs. The elevated height reduces the effort required to sit down or stand up, making it an ideal choice for those recovering from hip or knee surgery.

The sleek design seamlessly integrates into any bathroom décor, while the innovative smooth curves simplify cleaning and help prevent the buildup of dirt, improving hygiene. The toilet is constructed from high-quality vitreous china with Ceramicplus (C+) for durability, longevity, and quick cleaning - ensuring a reliable and functional bathroom fixture for years to come.

Featuring smarter Hygienic Flush open rim flushing for improved hygiene and easier cleaning, and a space-saving 45-degree installation, the CARE721WSC-RH is ideal for Aged Care, Independent Living, and Residential applications.

The CARE721WSC-RH is equipped with a soft close seat and support arms.



## PRODUCT CODES

CARE721WSC-RH

CARE7211WSC-RH With Nurse Call Left

CARE7212WSC-RH With Nurse Call Right



## KEY FEATURES

- Includes SERIES 700 toilet suite, white double flap soft close seat (Code: CARE-S032), hinge (Code: CARE-S030) and set of aluminium support arms (Code: CAREARM3)
- Toilet Suite is made from hygienic, durable and tightly vitrified china with embedded treatment Ceramicplus (C+)
- Hygienic flush - open flush rim edge for simplified cleaning and a flush that reaches all the way for improved hygiene
- Fully glazed on back and inside open rim to avoid bacteria growth
- Raised height of 485mm with seat for better comfort
- Free standing space saving toilet suite, suitable for installation into a corner
- Allows for undisturbed coving seal
- Flush volume 4.5/ 3L WELS 4 Star
- Quiet refilling
- Soft Close White Double Flap quick release toilet seat included
- Toilet pan fixed to the floor using 4 stainless steel pan screws (supplied) or add the unique SecureFix floor fixing accessory for a secure floor fit, without compromising waterproofing

# Care 721 Raised Height Toilet, S Trap, Double Flap White Soft Close Seat, Grey Support Arms

## TECHNICAL DATA

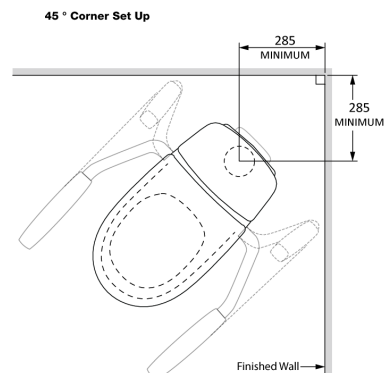
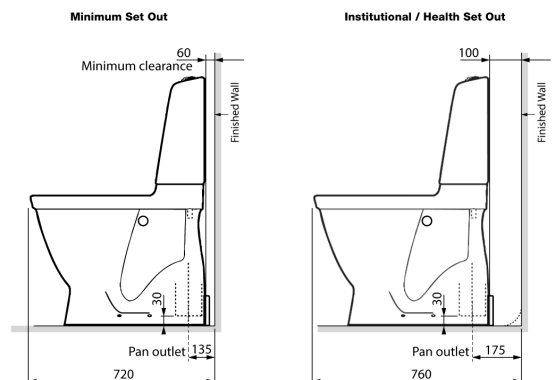
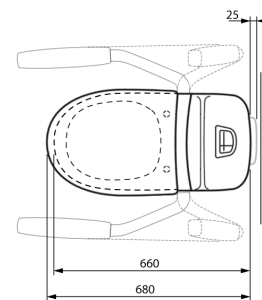
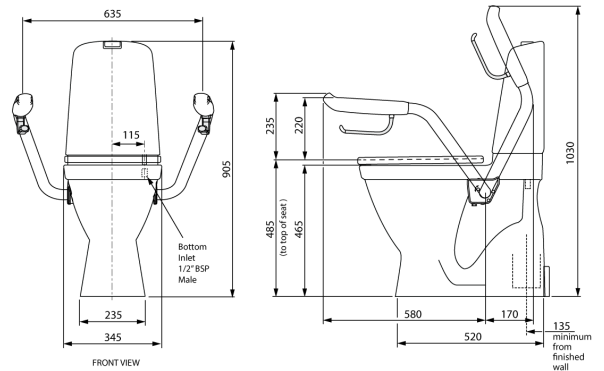
Water Supply Inlet Pressure	Min. 50 kPa - Max. 500 kPa
Inlet Connection	1/2" BSP
Water Inlet Connection Method	Bottom Inlet
Outlet Connection	DN100 DWV PVC Pan Collar
Flush Volume	4.5L Full Flush / 3L Half Flush (WELS 4 Star)
Pan Load Rating	800 kg
CAREARM3 Load Rating	150 kg

## OPTIONAL ACCESSORIES

CARE-WCFFP	SecureFit Floor Mounting Bracket Kit for CARE700 Free Standing Toilets
------------	--

## SPARE PARTS

CARE-S032	White Double Flap Family Soft Close Seat for CARE700 Toilets
CARE-S001	Spare Part: CARE700 Complete Inner Tank for Cistern Tank
CARE-S002	Spare Part: CARE700 Cistern Cover Ceramic White
CARE-S003	Spare Part: CARE700 Valve housing, Flush valve for cistern
CARE-S004	Spare Part: CARE700 Fill valve for cistern
CARE-S006	Spare Part: CARE700 Inlet Valve Washer Kit
CARE-S007	Spare Part: CARE700 Raised dual flush button chrome
CARE-S012	Spare Part: CARE700 Floor fixing screws pack
CARE-S013	Spare Part: CARE700 Outlet Valve Seal Washer
CARE-S015	Spare Part: CARE700 Cistern fixing kit
CARE-S026	Spare Part: CARE700 Buffer for Double Flap Soft Close Toilet Seat
CARE-S030	Spare Parts: CARE700 Seat Hinge Kit for Soft Close Seats
CARE-S033	Spare Part: CARE700 Stainless Steel Nut-M8 cylinder
CAREARM3	Care Support Arms: Aluminium with grey handles, toilet roll holders, for Care 700 Series Toilets



Due to ongoing Research and Development, specifications may change without notice. Component specifications may change on some export models.

Refer to warranty statement for warranty details - [www.enware.com.au/warranty](http://www.enware.com.au/warranty).

Products are to be installed in accordance with the Plumbing Code of Australia and AS/NZS3500. Reference should also be made to the Australasian Health Facility Guidelines (AHFG), ABCB and Local Government regulations when considering the choice of, and the installation of these products.