

# Care Double Flap White Seat for Care 700 Series Toilets

An ergonomically designed profile toilet seat. This flat shaped seat enables easier sideways transfer by wheelchair users. Its contoured lid is comfortable to sit on and acts as a backrest when upright.

## KEY FEATURES

- Double flap with ergonomic lid, comfortable to sit on
- Easy to clean high-density Duroplast construction - scratch and burn resistant
- Strong stainless steel hinges with hygienic design profiles
- Unique stability buffers that provide increased seat strength by reducing the pressure on the hinges, making the seat safer
- For installation with or without support arms
- Suitable for Freestanding toilet suites CARE1546 and CARE700 Series



## PRODUCT CODE

CARESEAT-WDF	Care Double Flap White Seat for Care 700 Series Toilets
--------------	---

# Care Double Flap White Seat for Care 700 Series Toilets

## TECHNICAL DATA

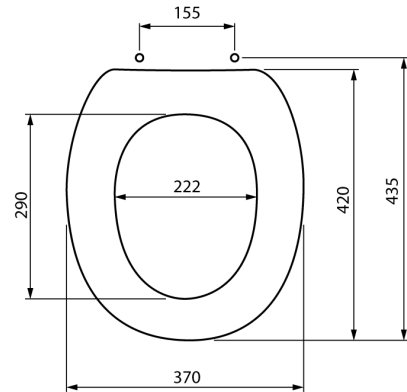
Hinge Material	Stainless Steel
----------------	-----------------

## COMPATIBLE TOILET

CARE1546-RH	Care 700 Series Toilet S-Trap Raised Height
-------------	---

## SPARE PARTS

CARE-S027	CARE700 Seat Hinge Kit for CARESEAT
-----------	-------------------------------------



Due to ongoing Research and Development, specifications may change without notice.  
Component specifications may change on some export models.  
Refer to warranty statement for warranty details - [www.enware.com.au/warranty](http://www.enware.com.au/warranty).