

Pressure Reducing Valve 32mm for ECE Safety Showers with fittings

The EAA940 incorporates Watts LFN45B Pressure Reducing Valve (PRV) and is supplied complete with fittings for a seamless integration with Enware combination safety showers. It is engineered to control and reduce the incoming water pressure to a compliant level to protect users from excessive force while ensuring effective emergency shower operation.

Suitable for water supply pressures up to 2070 kPa, each unit is factory pre-set at 500 kPa.

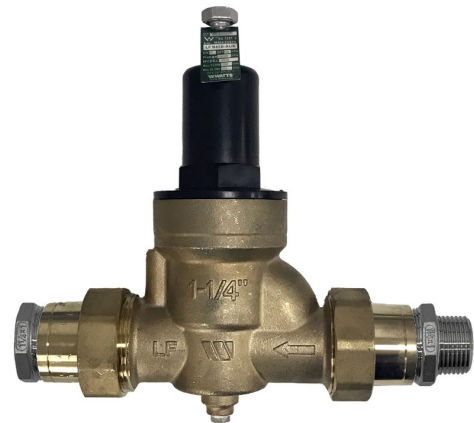
The standard bypass feature permits the flow of water back through the valve into the main when pressures, due to thermal expansion on the outlet side of the valve, exceed the pressure in the main supply.

KEY FEATURES

- Complete PRV - Supplied with fittings for seamless installation on Enware safety showers
- Lead-free cast copper silicon alloy body construction
- Integral stainless steel strainer
- Thermoplastic seat and cage
- Built-in bypass feature controls thermal expansion pressure
- Easy servicing design

Benefits

- Enhanced Safety – Delivers controlled, compliant water pressure for user protection
- User Protection – Protects from high supply pressures
- Easy Installation – Supplied with fittings for quick integration
- Thermal Expansion Control – Built-in bypass prevents pressure build-up
- Low Maintenance – Durable design with easy servicing



PRODUCT CODE

EAA940

Pressure Reducing Valve 32mm for ECE
Safety Showers with fittings



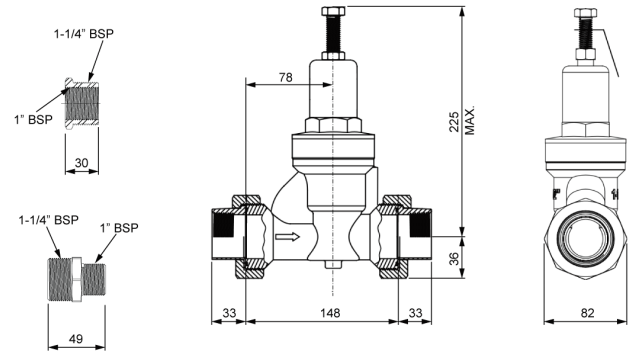
Pressure Reducing Valve 32mm for ECE Safety Showers with fittings

TECHNICAL DATA

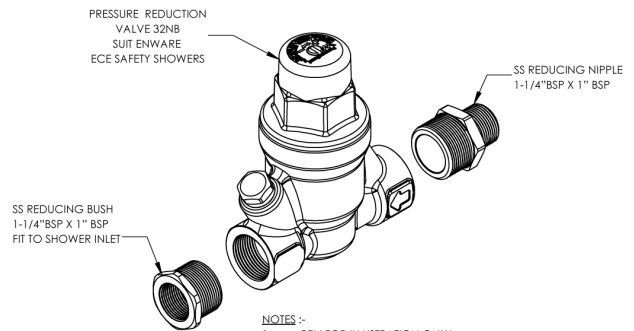
Working Temperature	0.5°C – 82°C
Standard Pressure Setting	500kPa
Pressure Reducing Range	172kPa – 517kPa
Seat Material	Thermoplastic
Body Material	Lead Free* Brass
Disc Material	Elastomer
Diaphragm Material	Reinforced EPDM
Strainer Material	Stainless Steel
Cover Material	Thermoplastic
Working Medium	Water
Inlet Connection	1-1/4" BSP Female with 1-1/4" BSP MI x 1" BSP FI Bush
Outlet Connection	1-1/4" BSP Female with 1-1/4" BSP MI x 1" BSP MI Reducing Nipple

* 'Lead Free' means the wetted surface of this product contacted by consumable water contains less than 0.25% of lead by weight.

Watermark: Lic WMK25916 AS1357.2 registered under model name LFN45B-AUS / model ID 61050026

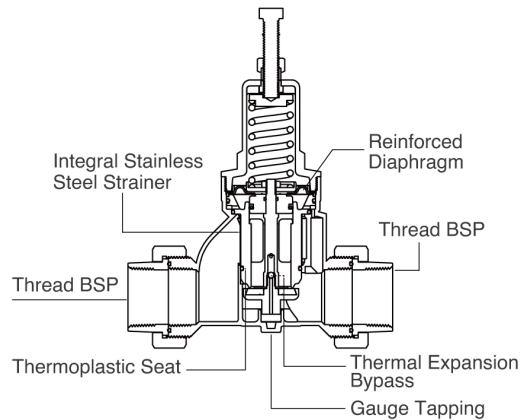
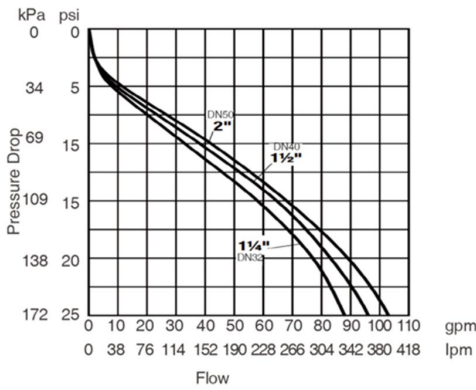


NOTES :-
1. PRV FOR ILLUSTRATION ONLY
DETAIL MAY CHANGE.



NOTES :-
1. PRV FOR ILLUSTRATION ONLY
DETAIL MAY CHANGE.

DN32-DN50



Due to ongoing Research and Development, specifications may change without notice.
Component specifications may change on some export models.
Refer to warranty statement for warranty details - www.enware.com.au/warranty.