

RDC Standard LAN

The IZAR Radio Data Concentrator is a Smart Metering transceiver with a multi-utility approach. It is designed for a fixed radio network.

FEATURES

- Collection and processing of up to 500 radio devices
- Remote and local configuration
- Secure and flexible data export to FTP-server
- Intelligent telegram filter
- Automatic time synchronisation via Network Time Protocol (NTP)
- Downward-compatible with IZAR RADIO products
- Individual data logging
- Receiving of meter data via 434 MHz
- Compression and encryption for data transport
- Intelligent and modular installation concept

EHM008S-LAN



Product Codes

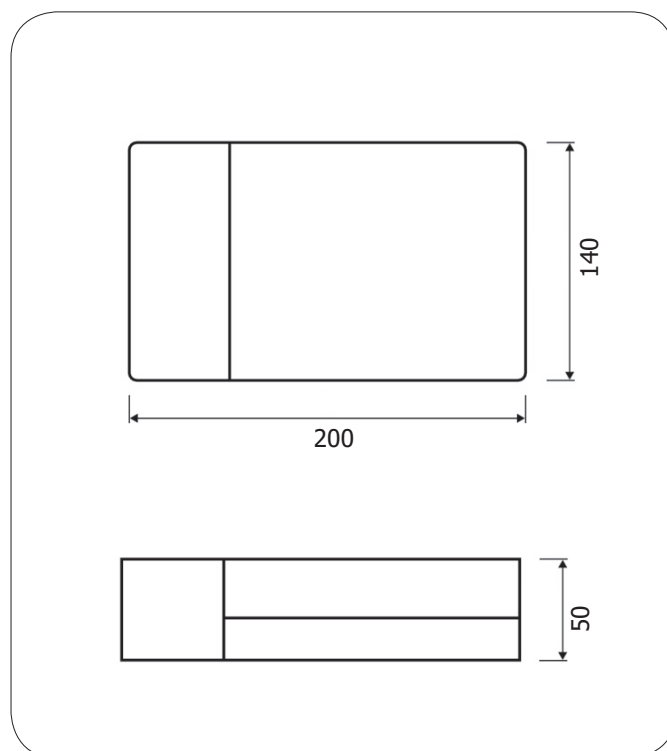
EHM008S-LAN RDC Standard LAN

Technical Data

Frequency band	434.475 MHz
Radio range	Up to 1000m outdoors or 50m indoors
Interfaces	LAN
Logging Capacity	> 800,000 telegrams
Power Supply	240V
Power Consumption	3W

Ambient Conditions

Operating temperature	-25 - 65°C
Storage temperature	-30 - 70°C
Protection Class	IP40



Version: **May 24**

Call **1300 369 273**
www.enware.com.au

Enware Australia Pty Limited
9 Endeavour Rd Caringbah NSW 2229 Australia
Ph: 02 8536 4000 info@enware.com.au

