

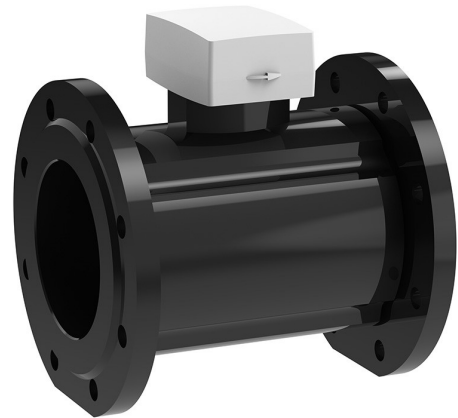
HYDRUS2 COLD DN150 L300mm RADIO/PULSE

The HYDRUS2 Radio/Pulse ultrasonic water meter provides accurate, maintenance free measurement with integrated wireless radio communication and a wired pulse output for simple BMS integration.

Its advanced ultrasonic technology provides long term stability, no moving parts, and reliable performance even in demanding conditions. The meter supports high resolution data, leak detection, backflow alerts, and robust diagnostics to enhance system visibility.

With IP68 protection it is suitable for both indoor and outdoor use, with its long battery life it will continue to function in a blackout, a wide dynamic range of up to R800 enables measurement of flow down to the level of drips, support for both horizontal and vertical installation and no need for calming sections. HYDRUS2 suits a broad range of commercial and industrial environments.

The dual communication design future proofs infrastructure, offering easy BMS integration for facilities needing simple, automated water consumption reporting.



PRODUCT CODE

EHM50150X3FL

HYDRUS2 COLD DN150 L300mm
RADIO/PULSE

KEY FEATURES

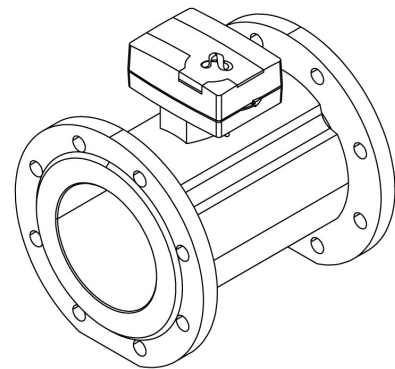
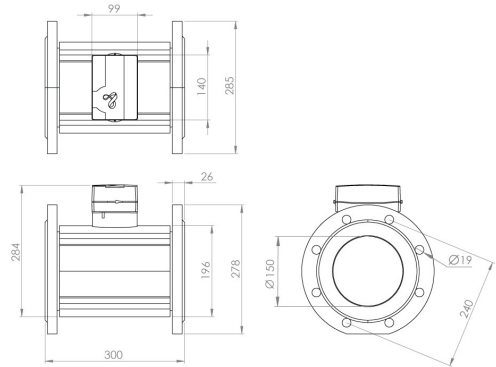
- WaterMark certified on all sizes
- NMI approved on all sizes
- Higher performance than class 2 requirements
- Q1/Q3 (Dynamic range) up to R800
- Ultrasonic design minimises sedimentation
- Long-term stability under difficult conditions
- Horizontal and vertical installation
- IP68 permanent immersion (suitable for outdoor installation)
- U0 / D0, no need for calming sections
- No moving parts & no magnetic influence
- No measurement of air
- Integrated communications
- Battery lifetime up to 16 years
- Display with error and alarm codes including leakage detection
- Available in T50 (Cold Water) DN 20, 25, 32, 40, 50, 80, 100, 150, 200
- Available in T90 (Hot Water) DN 15, 20, 25, 32, 40



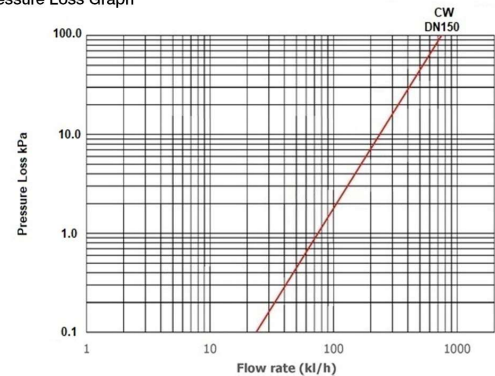
HYDRUS2 COLD DN150 L300mm RADIO/PULSE

TECHNICAL DATA

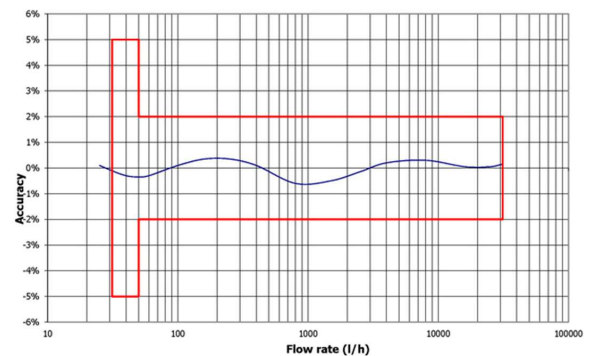
Check Valve	None
Couplings	None included
Display Indication	LCD, 9-digit, additional symbols / display counter / unit
Values Displayed	Current Total Volume, Current Flow Rate, Remaining Battery Life, Error and Alarms, Software Version, Display Test
Maximum Temperature Safety	50°C
Minimum Medium Temperature Range	1°C
Dynamic Range (Q1/Q3) Horizontal	800
Dynamic Range (Q1/Q3) Vertical	250
Minimum Flow Rate Q1	312.5L/hr
Transitional Flow Rate Q2	500L/hr
Permanent Flow Rate Q3	250000L/hr
Overload Flow Rate Q4	312500L/hr
Accuracy Class	2
Inlet Connection	Round Flange 150mm
Outlet Connection	Round Flange 150mm
Battery Lifetime	Up to 16 years
Protection Class	IP68
Nominal Diameter	150
Interfaces	WM-BUS OMS Radio (R3, R4), Wired PULSE
Radio	Yes
Frequency Band	434MHz
Sending Interval	R3: 14s, R4: 15m
Wired Pulse	Yes
Maximum Pulse Frequency	10Hz
Pulse Rate	100L/pulse
Wired M-BUS	No
Technical Notes	
WM40207 AS3565.1 Lead Free (WaterMark)	
NMI R49-1	



Pressure Loss Graph



Typical Error Graph



Due to ongoing Research and Development, specifications may change without notice.
Component specifications may change on some export models.
Refer to warranty statement for warranty details - www.enware.com.au/warranty.