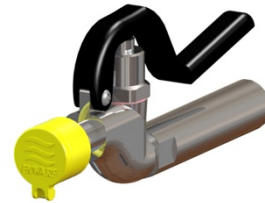


Spare Parts: Safety Bodywash Gun Lab Model

SAFETY BODYWASH GUN LAB MODEL



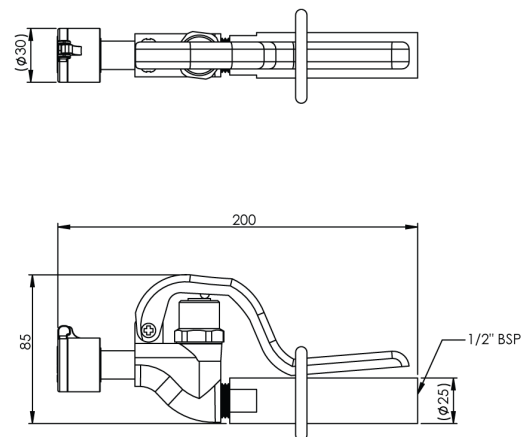
PRODUCT CODE

ESP010

SAFETY BODYWASH GUN LAB MODEL

Due to ongoing Research and Development, specifications may change without notice.
Component specifications may change on some export models.
Refer to warranty statement for warranty details - www.enware.com.au/warranty.

TECHNICAL DATA



Spare Parts: Safety Bodywash Gun Lab Model

SPARE PARTS

ESP010	Spare Parts: Safety Bodywash Gun Lab Model
ESPE808	Spare Parts: Shower Shoured Dust Cover Replacement
FS077NS	Spare Parts: Service Kit Suits FS729
FS721S	Spare Parts: Food Service - Stuffing Box Assembly - FS721/FS729
FS790	Spare Parts: Trigger Spray Handle & Screw Replacement Part
SP304	Spare Parts: Aerator - Anti-Vandal - Key to Suit - No.7