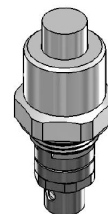


# Stuffing Box Assembly for FS721/ FS729

Food Service Spare Parts - Stuffing Box Assembly -  
Suits FS721 and FS729 Trigger Spray



## PRODUCT CODE

FS721S	Stuffing Box Assembly for FS721/ FS729
--------	--



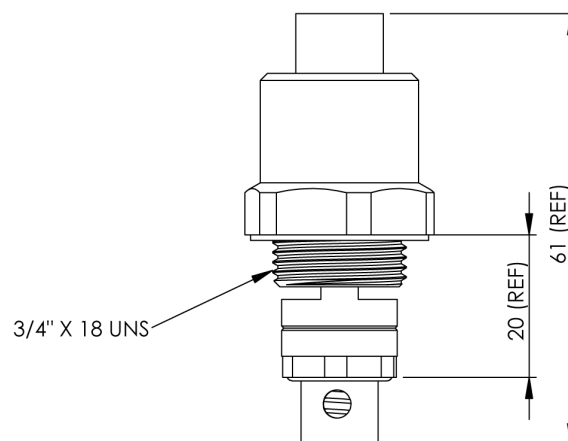
Products are to be installed in accordance with the Plumbing Code of Australia and AS/NZS3500. Reference should also be made to the Australasian Health Facility Guidelines (AHFG), ABCB and Local Government regulations when considering the choice of, and the installation of these products.

This product is compliant with the Lead Free requirements of NCC Volume Three.

Due to ongoing Research and Development, specifications may change without notice. Component specifications may change on some export models.

Refer to warranty statement for warranty details - [www.enware.com.au/warranty](http://www.enware.com.au/warranty).

## TECHNICAL DATA



## SPARE PARTS

FS077NS	Service Kit Suits FS729
---------	-------------------------

Version 16 January 2026

1300 369 273 | [info@enware.com.au](mailto:info@enware.com.au) | [enware.com.au](http://enware.com.au)

**ENWARE**  
A WATTS Brand