

# Hot/Cold Water Wash Down Hose Reel with Trigger Spray

Hot or cold wash down hose reel with food service trigger spray. Suitable for kitchens, food preparation and food manufacturing areas. 15m retractable hose with floor wash jet spray.

## KEY FEATURES

- Compact wall mounted design with swivel wall bracket.
- Easy to clean UV Stabilised Polypropylene case
- Heavy duty hot water rated hose (also suitable for cold water)
- Supplied with wall elbow with dual check valve and flexible braided connection hose
- FS731 Trigger Spray rated to 50°C

\* All taps should be turned off after use and especially overnight to prevent over pressurisation of downstream fittings, connections and/or hoses.



## PRODUCT CODE

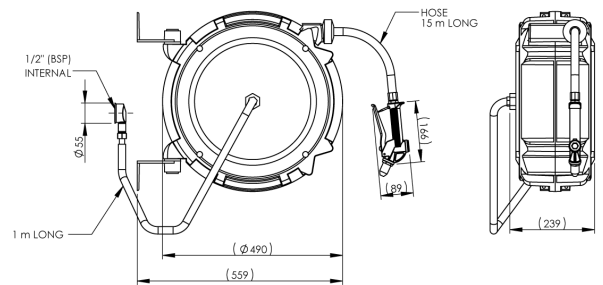
FS724

Hot/Cold Water Wash Down Hose Reel with Trigger Spray

# Hot/Cold Water Wash Down Hose Reel with Trigger Spray

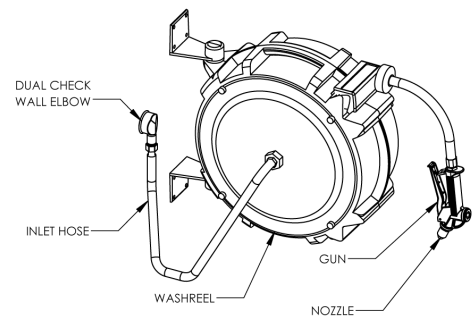
## TECHNICAL DATA

Maximum Working Temperature	50°C
Minimum Recommended Pressure	200kPa
Maximum Recommended Pressure	500kPa
Inlet Connection	1/2" BSP (15mm) FI
Hose Length	15m on reel 1m from reel to inlet connection
Hose Diameter (ID)	12mm
Weight	12kg



## SPARE PARTS

FS730	Food Service - Delrin Trigger Spray - without Nozzle
FS731	Food Service - Delrin Trigger Spray with Floor Wash Nozzle
FSRBR	Swivel Wall Bracket to Suit Wash Down Hose Reel (Pair)



Products are to be installed in accordance with the Plumbing Code of Australia and AS/NZS3500. Reference should also be made to the Australasian Health Facility Guidelines (AHFG), ABCB and Local Government regulations when considering the choice of, and the installation of these products.

Due to ongoing Research and Development, specifications may change without notice. Component specifications may change on some export models.

Refer to warranty statement for warranty details - [www.enware.com.au/warranty](http://www.enware.com.au/warranty).