

Hot/Cold Water Wash Down Hose Reel with Heavy Duty Trigger Spray

Hot or cold wash down hose reel with food service trigger spray. Suitable for kitchens, food preparation and food manufacturing areas. 15m retractable hose with a heavy duty wash down spray.

KEY FEATURES

- Compact wall mounted design with swivel wall bracket.
- Easy to clean UV Stabilised Polypropylene case
- Heavy duty hot water rated hose (also suitable for cold water)
- Supplied with wall elbow with dual check valve and flexible braided connection hose
- FS722 Heavy Duty Trigger Spray

* All taps should be turned off after use and especially overnight to prevent over pressurisation of downstream fittings, connections and/or hoses.



PRODUCT CODE

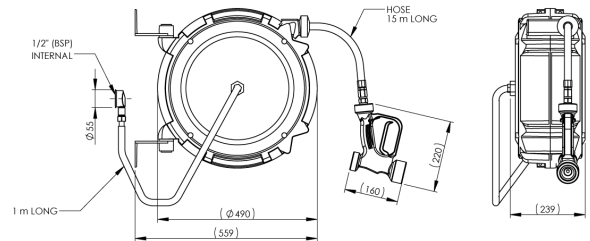
FS728

Hot/Cold Water Wash Down Hose Reel with Heavy Duty Trigger Spray

Hot/Cold Water Wash Down Hose Reel with Heavy Duty Trigger Spray

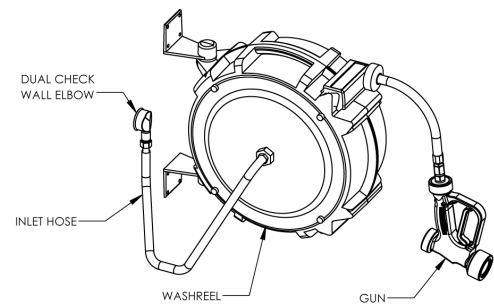
TECHNICAL DATA

Maximum Working Temperature	85°C
Minimum Recommended Pressure	200kPa
Maximum Recommended Pressure	500kPa
Inlet Connection	1/2" BSP (15mm) FI
Hose Length	15m on reel 1m from reel to inlet connection
Hose Diameter (ID)	12mm
Weight	12kg



SPARE PARTS

FSRBR	Spare Part: Swivel Wall Bracket to Suit Wash Down Hose Reel (Pair)
FS722	Wash-Down Adjustable Spray - 15mm



Products are to be installed in accordance with the Plumbing Code of Australia and AS/NZS3500. Reference should also be made to the Australasian Health Facility Guidelines (AHFG), ABCB and Local Government regulations when considering the choice of, and the installation of these products.

Due to ongoing Research and Development, specifications may change without notice. Component specifications may change on some export models.

Refer to warranty statement for warranty details - www.enware.com.au/warranty.