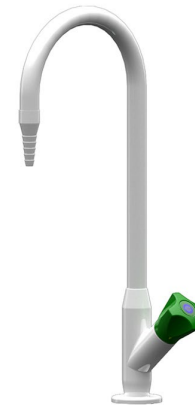


Com Lab Bench Mounted Laboratory Tap with Swivel Gooseneck Outlet - Ceramic Disc - Water

Enware Commercial Laboratory outlets are supplied with a tapered tube nozzle and are assembled for each specific media type. The durable powder coat finish gives significant protection against corrosion, discolouration and surface damage. Slimline handles are ergonomically designed for precise feel and fingertip control. Handles are colour coded for easy service identification and use complimentary buttons.

KEY FEATURES

- 3/4-turn ceramic disc headworks provides precise flow control
- Durable white epoxy powder coat finish with coloured metal handles
- Swivel high-rise gooseneck spout
- 1/2" BSP bench mount inlet with backnut
- Tube nozzle outlet with flow control and dual check valve. 3/8" BSP FI when removed
- Aerator option
- Green handle and indicator button identification to DIN EN13792
- Indicator buttons for compatible media included
- Compatible media: Cold Water, Hot Water, Chilled Water
- Lead free brass



PRODUCT CODE

LCN110

Com Lab Bench Mounted Laboratory Tap
with Swivel Gooseneck Outlet - Ceramic Disc
- Water



Products are to be installed in accordance with the Plumbing Code of Australia and AS/NZS3500. Reference should also be made to the Australasian Health Facility Guidelines (AHFG), ABCB and Local Government regulations when considering the choice of, and the installation of these products.

This product is compliant with the Lead Free requirements of NCC Volume Three.

Due to ongoing Research and Development, specifications may change without notice. Component specifications may change on some export models.

Refer to warranty statement for warranty details - www.enware.com.au/warranty.

Com Lab Bench Mounted Laboratory Tap with Swivel Gooseneck Outlet - Ceramic Disc - Water

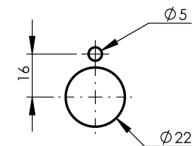
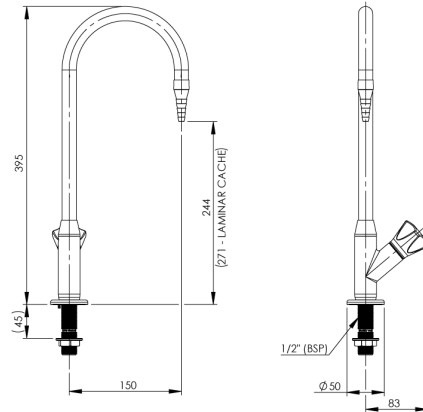
TECHNICAL DATA

WELS Category	Tapware
Standard WELS	5 Stars
Standard WELS Flow Rate	6 L/min
Finish	Powder Coating
Valve Type	Ceramic Disc
Water Options	Cold, Hot, Chilled
Maximum Working Temperature	90°C
Maximum Recommended Pressure	700kPa
Maximum Static Pressure	1000kPa
Inlet Connection	1/2" BSP Male
Outlet Connection	Tube Nozzle, 3/8" BSP Female (without nozzle)

Tube Nozzle may cause splashing and is designed to have tubing fitted when in use.

Aerator is available as an option.

Water used in the laboratory may not be potable, additional signage may be required.



INSTALLATION DETAIL
(MOUNTING SURFACE CUT OUT)

PLEASE CHECK LOCKING PIN
POSITIONS BEFORE INSTALLATION
AS ORIENTATION MAY VARY

OPTIONAL ACCESSORIES

LCN172-5	Aerator and Adaptor - 5.7 L/min Laminar Flow TJ - to Suit LCN Products
LCN175	3/8" x 1/2" BSP MI Adaptor to suit Laboratory LCN Outlet

SPARE PARTS

LCN183	ComLab Stuffing Box Assembly - 3/4 Turn Ceramic Disc - LCN Products
LCN171	ComLab Tube Nozzle with Dual Check Valve - Suit LCN Water Products
LCN187	Dual Check Valve - LCN Nozzle
LCN190	Flow Control - LCN Tube Nozzle - 6L/min
LCN186	ComLab: Base Flange for Wall/Bench
LCN191-GREEN	ComLab: Handle (Green)
LCN193-1	ComLab: Indicator Mount
FS734	Spare Parts: Washer Service Kit - O-Rings, Grub Screws, Aerator
LCN186	ComLab: Base Flange for Wall/Bench