

ComLab Bench Mounted Laboratory Mixing Set with Swivel/ Fixed Gooseneck Outlet and Lever Handles - Ceramic Disc - Water

Enware Commercial Laboratory outlets are supplied with a tapered tube nozzle and are assembled for each specific media type. The durable powder coat finish gives significant protection against corrosion, discolouration and surface damage. The simple lever action provides hands-free elbow or wrist operation suitable for sterile environments where hygiene is critical.

KEY FEATURES

- 1/4 turn contra-rotating handles (push handles outward to open)
- Ceramic disc
- Durable white epoxy powder coat finish with coloured metal handles
- Swivel high-rise gooseneck spout with integral fixing option
- Tube nozzle outlet with flow control and dual check valve. 3/8" BSP FI when removed
- 1/2" BSP male inlet tails with backnuts for bench mounting
- 150mm green lever handles and indicator button identification to DIN EN13792
- Indicator buttons for compatible media included
- Compatible media: Cold Water, Hot Water, Chilled Water
- Lead free brass



PRODUCT CODE

LCN113L

ComLab Bench Mounted Laboratory Mixing Set with Swivel/ Fixed Gooseneck Outlet and Lever Handles - Ceramic Disc - Water



Products are to be installed in accordance with the Plumbing Code of Australia and AS/NZS3500. Reference should also be made to the Australasian Health Facility Guidelines (AHFG), ABCB and Local Government regulations when considering the choice of, and the installation of these products.

This product is compliant with the Lead Free requirements of NCC Volume Three.

Due to ongoing Research and Development, specifications may change without notice. Component specifications may change on some export models.

Refer to warranty statement for warranty details - www.enware.com.au/warranty.

ComLab Bench Mounted Laboratory Mixing Set with Swivel/Fixed Gooseneck Outlet and Lever Handles - Ceramic Disc - Water

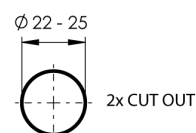
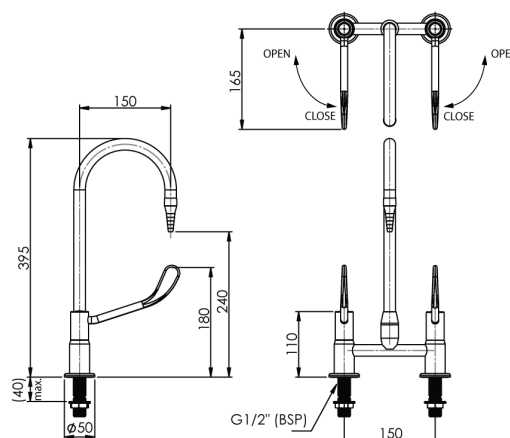
TECHNICAL DATA

WELS Category	Tapware
Standard WELS	5 Stars
Standard WELS Flow Rate	6L/min
Finish	Powder Coating
Valve Type	Ceramic Disc
Water Options	Cold, Hot, Chilled
Maximum Working Temperature	90°C
Maximum Recommended Pressure	700kPa
Maximum Static Pressure	1000kPa
Inlet Connection	1/2" BSP Male
Outlet Connection	Tube Nozzle, 3/8" BSP Female (without nozzle)

Tube Nozzle may cause splashing and is designed to have tubing fitted when in use.

Aerator is available as an option.

Water used in the laboratory may not be potable, additional signage may be required.



INSTALLATION DETAIL
(BENCH TOP CUT OUT)

OPTIONAL ACCESSORIES

LCN172-5	Spare Parts: Aerator and Adaptor - 5.7 L/min Laminar Flow TJ - LCN
LCN175	Spare Parts: Laboratory - LCN Adaptor - 1/2" BSP M Outlet

SPARE PARTS

LCN188LTC	Spare Parts: SBA 1/4 Turn 1/2" BSP Ceramic Disc Anticlockwise to Close
LCN188RTC	Spare Parts: SBA 1/4 Turn 1/2" BSP Ceramic Disc Clockwise to Close
LCN182	ComLab: Button Replacement - Water - LCN Products
LCN193-1	ComLab: Indicator Mount Green
LCN186	ComLab: Base Flange for Wall/Bench
LCN187	Dual Check Valve - LCN Nozzle
LCN190	Flow Control - LCN Tube Nozzle - 6L/min
LCN171	Spare Parts: ComLab - Tube Nozzle - Dual Check Valve - LCN Water Products
FS734	Spare Parts: Washer Service Kit - O-Rings, Grub Screws, Aerator