

ComLab Bench Mounted 1 Way Straight Valve - Ceramic Disc - Water

Enware Commercial Laboratory outlets are supplied with a tapered tube nozzle and are assembled for each specific media type. The durable powder coat finish gives significant protection against corrosion, discolouration and surface damage. Slimline handles are ergonomically designed for precise feel and fingertip control. Handles are colour coded for easy service identification and use complimentary buttons.

KEY FEATURES

- Ceramic disc (3/4 turn) headworks
- Durable white epoxy powder coat finish with coloured metal handles
- 1/2" BSP male inlet tail with 1/4" BSP female thread connection
- Tube nozzle outlet with flow control and check valve. 3/8" BSP FI when removed
- Green handle and indicator button identification to DIN EN13792
- Indicator buttons for compatible media included
- Compatible media: Cold Water, Hot Water, Chilled Water
- Lead Free Brass



PRODUCT CODE

LCN145WATER

ComLab Bench Mounted 1 Way Straight Valve - Ceramic Disc - Water



Products are to be installed in accordance with the Plumbing Code of Australia and AS/NZS3500. Reference should also be made to the Australasian Health Facility Guidelines (AHFG), ABCB and Local Government regulations when considering the choice of, and the installation of these products.

This product is compliant with the Lead Free requirements of NCC Volume Three.

Due to ongoing Research and Development, specifications may change without notice. Component specifications may change on some export models.

Refer to warranty statement for warranty details - www.enware.com.au/warranty.

ComLab Bench Mounted 1 Way Straight Valve - Ceramic Disc - Water

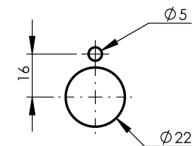
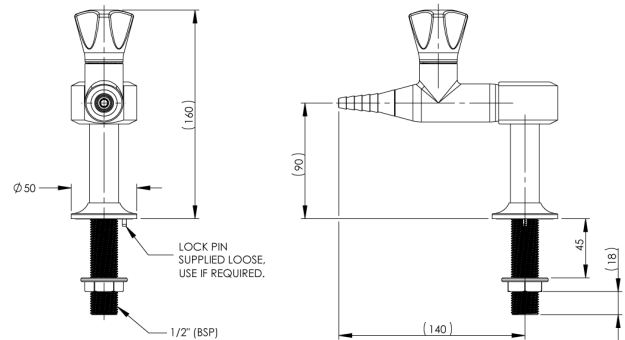
TECHNICAL DATA

Standard WELS	5 Stars
Standard WELS Flow Rate	6 L/min
Finish	Powder Coating
Valve Type	Ceramic Disc
Mounting Type	One Way Bench Mounted
Water Options	Cold, Hot, Chilled
Maximum Working Temperature	90°C
Maximum Recommended Pressure	700kPa
Maximum Static Pressure	1000kPa
Inlet Connection	1/2" BSP Male, 1/4" BSP Female
Outlet Connection	Tube Nozzle, 3/8" BSP Female (without nozzle)

Tube Nozzle may cause splashing and is designed to have tubing fitted when in use.

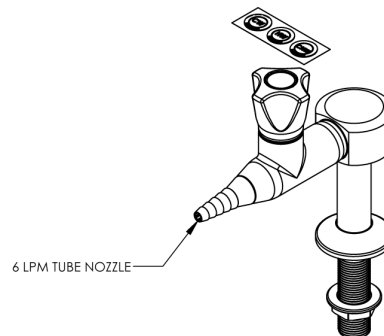
Aerator is available as an option.

Water used in the Laboratory may not be potable, additional signage may be required.



INSTALLATION DETAIL
(MOUNTING SURFACE CUT OUT)

PLEASE CHECK LOCKING PIN
POSITIONS BEFORE INSTALLATION
AS ORIENTATION MAY VARY



OPTIONAL ACCESSORIES

LCN175	Laboratory - LCN Adaptor - 1/2" BSP M Outlet
--------	--

ComLab Bench Mounted 1 Way Straight Valve - Ceramic Disc - Water

SPARE PARTS

LCN183	ComLab: Stuffing Box Assembly - 3/4 Turn Ceramic Disc - LCN Products
LCN182	ComLab: Button Replacement - Water - LCN Products
LCN193-1	ComLab: Indicator Mount Green
LCN191-GREEN	ComLab: Handle (Green)
LCN187	Dual Check Valve - LCN Nozzle
LCN190	Flow Control - LCN Tube Nozzle - 6L/min
LCN171	Spare Parts: ComLab - Tube Nozzle - Dual Check Valve - LCN Water Products