

# ComLab Front Panel Valve 1/8" Inlet/ Outlet for Quick Connect Fittings - Ceramic Disc - Water

Enware laboratory front panel valves are designed for fitting to the front panels or mullions of Fume Cupboards or similar equipment. The durable powder coat finish gives significant protection against corrosion, discolouration and surface damage. Slimline handles are ergonomically designed for precise feel and fingertip control. Handles are colour coded for easy service identification and use complimentary buttons. Designed to be connected to incoming service and remote outlet nozzle.

## KEY FEATURES

- Ceramic disc (3/4 turn) headworks
- Durable white epoxy powder coat finish with coloured metal handle
- 1/8" BSP FI Inlet/Outlet for use with Quick Connect or Compression Fittings
- Green handle and indicator button identification to DIN EN13792
- Can be fixed from the front with screws (not supplied) or from the rear with backnut
- Indicator buttons for compatible media included
- Compatible media: Cold Water, Hot Water, Chilled Water
- Lead free brass



## PRODUCT CODE

LCN150RWATER	ComLab Front Panel Valve 1/8" Inlet/Outlet for Quick Connect Fittings - Ceramic Disc - Water
--------------	--



Products are to be installed in accordance with the Plumbing Code of Australia and AS/NZS3500. Reference should also be made to the Australasian Health Facility Guidelines (AHFG), ABCB and Local Government regulations when considering the choice of, and the installation of these products.

This product is compliant with the Lead Free requirements of NCC Volume Three.

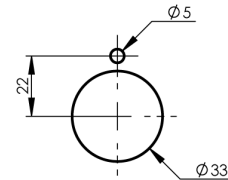
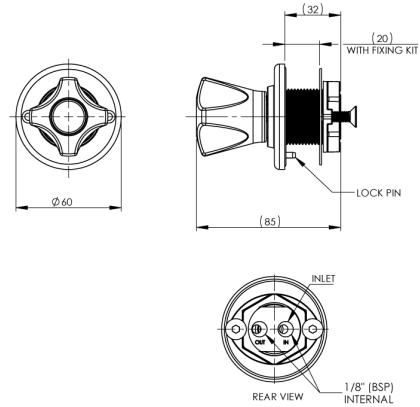
Due to ongoing Research and Development, specifications may change without notice. Component specifications may change on some export models.

Refer to warranty statement for warranty details - [www.enware.com.au/warranty](http://www.enware.com.au/warranty).

# ComLab Front Panel Valve 1/8" Inlet/ Outlet for Quick Connect Fittings - Ceramic Disc - Water

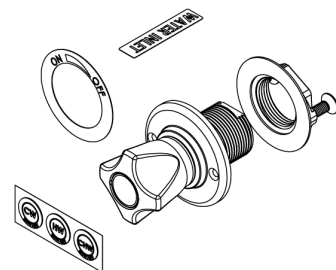
## TECHNICAL DATA

Finish	Powder Coating
Valve Type	Ceramic Disc
Mounting Type	Front Panel Valve
Water Options	Cold, Hot, Chilled
Maximum Working Temperature	90°C
Maximum Recommended Pressure	700 kPa
Maximum Testing Pressure	1000 kPa
Inlet Connection	1/8" BSPT
Outlet Connection	1/8" BSPT
Connection Notes	Requires quick connect fittings LCN173 or Compression Fittings



INSTALLATION DETAIL  
(MOUNTING SURFACE CUT OUT)

PLEASE CHECK LOCKING PIN  
POSITIONS BEFORE INSTALLATION  
AS ORIENTATION MAY VARY



# ComLab Front Panel Valve 1/8" Inlet/ Outlet for Quick Connect Fittings - Ceramic Disc - Water

## SPARE PARTS

LCN183	ComLab: Stuffing Box Assembly - 3/4 Turn Ceramic Disc - LCN Products
LCN182	ComLab: Button Replacement - Water - LCN Products
LCN193-1	ComLab: Indicator Mount Green
LCN191-GREEN	ComLab: Handle (Green)