

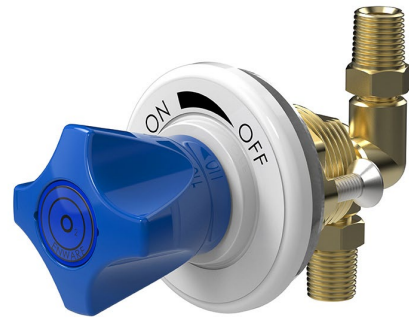
ComLab Front Panel Valve - 90 Degree 1/4" BSPT Inlet/Outlet for Hose Connection - Needle Valve - Oxygen

Enware laboratory front panel valves are designed for fitting to the front panels or mullions of Fume Cupboards or similar equipment. The durable powder coat finish gives significant protection against corrosion, discolouration and surface damage. Slimline handles are ergonomically designed for precise feel and fingertip control. Handles are colour coded for easy service identification and use complimentary buttons. Designed to be connected to incoming service and remote outlet nozzle.

KEY FEATURES

- Suited for dry media up to technical gas level 4.0
- Chemically and ultrasonically cleaned
- Can be fixed from the front with screws (not supplied) or from the rear with backnut
- Teflon needle valve with stainless steel seat
- Durable white epoxy powder coat finish with coloured metal handles
- 1/4" BSP MI 90 Degree Inlet/Outlet for use with LC188 1.0 metre hoses
- Blue handle and indicator button identification to DIN EN13792
- Indicator buttons for compatible media included
- Compatible media: Oxygen, Carbogen

Due to ongoing Research and Development, specifications may change without notice. Component specifications may change on some export models. Refer to warranty statement for warranty details - www.enware.com.au/warranty.



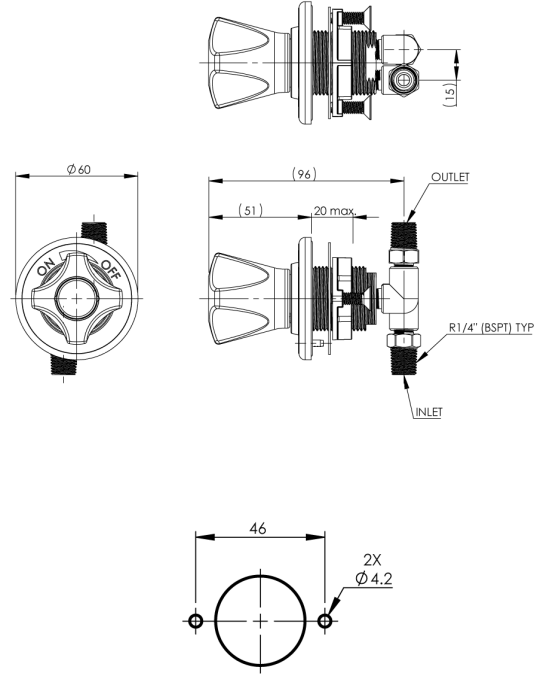
PRODUCT CODE

LCN153NOXY	ComLab Front Panel Valve - 90 Degree 1/4" BSPT Inlet/Outlet for Hose Connection - Needle Valve - Oxygen
------------	---

ComLab Front Panel Valve - 90 Degree 1/4" BSPT Inlet/Outlet for Hose Connection - Needle Valve - Oxygen

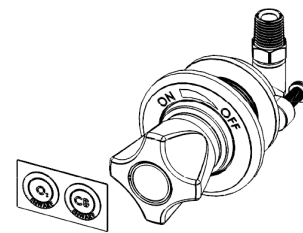
TECHNICAL DATA

Finish	Powder Coating
Valve Type	Needle Valve
Mounting Type	Front Panel Valve
Maximum Recommended Pressure	700kPa
Maximum Testing Pressure	1000kPa
Inlet Connection	1/4" BSP MI
Outlet Connection	1/4" BSP MI
Connection Notes	Union spigot suitable for LC188 connecting hose
Dry Media Options	Oxygen or Carbogen
Technical Notes	Care must be taken to ensure all pipework is free of grease and oil



INSTALLATION DETAIL (MOUNTING SURFACE CUT OUT)

PLEASE CHECK LOCKING PIN POSITIONS BEFORE INSTALLATION AS ORIENTATION MAY VARY



REQUIRED OPTIONS

LC188	1 Metre Flexible Hose - 1/4 "X 1/2" F&F Connectors - Gas
-------	--

ComLab Front Panel Valve - 90 Degree 1/4" BSPT Inlet/Outlet for Hose Connection - Needle Valve - Oxygen

SPARE PARTS

LCN184	Spare Parts: ComLab - Stuffing Box Assembly - Needle Valve - LCN Products
LCN191-BLUE	ComLab Handle (Blue)
LCN181	ComLab: Button Replacement - Dry Media - LCN Products
LCN193	ComLab: Indicator Mount