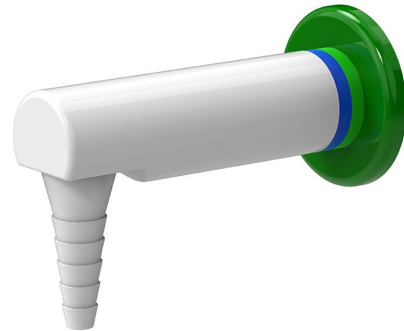


ComLab 90 Degree Fume Cupboard Outlet - Water

Enware Commercial Laboratory outlets are supplied with a tapered tube nozzle. The durable powder coat finish gives significant protection against corrosion, discolouration and surface damage. Colour coded back plate and indicator rings are provided to identify services.

KEY FEATURES

- 90 degree outlet suitable for mounting in Fume Cupboards
- Durable white epoxy powder coat finish with colour coded back plate and indicator rings
- 1/2" BSP male inlet tail and backnut with internal 1/4" BSP female thread connection
- Tube nozzle outlet with flow control and check valve. 3/8" BSP FI when removed
- Indicator rings for compatible media included
- Compatible media: Cold Water, Hot Water, Chilled Water
- Lead free brass



PRODUCT CODE

LCN161WATER	ComLab 90 Degree Fume Cupboard Outlet - Water
-------------	---



Products are to be installed in accordance with the Plumbing Code of Australia and AS/NZS3500. Reference should also be made to the Australasian Health Facility Guidelines (AHFG), ABCB and Local Government regulations when considering the choice of, and the installation of these products.

This product is compliant with the Lead Free requirements of NCC Volume Three.

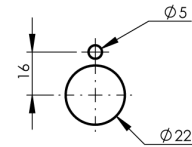
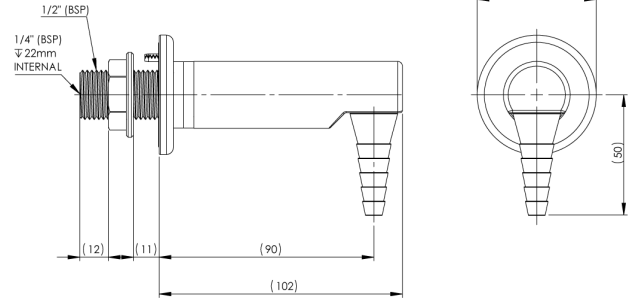
Due to ongoing Research and Development, specifications may change without notice. Component specifications may change on some export models.

Refer to warranty statement for warranty details - www.enware.com.au/warranty.

ComLab 90 Degree Fume Cupboard Outlet - Water

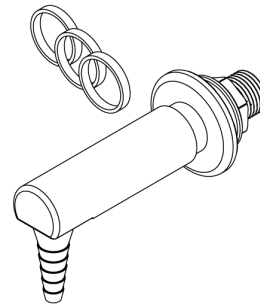
TECHNICAL DATA

Standard WELS	5 Stars
Standard WELS Flow Rate	6 L/min
Finish	Powder Coating
Mounting Type	90 Degree Fume Cupboard Outlet
Water Options	Cold, Hot, Chilled
Maximum Working Temperature	90°C
Maximum Recommended Pressure	700kPa
Inlet Connection	1/2" BSP Male, 1/4" BSP Female
Technical Notes	Suitable for connection with LC189 hose, hard plumbing, quick connect, compression fitting



INSTALLATION DETAIL (MOUNTING SURFACE CUT OUT)

PLEASE CHECK LOCKING PIN
POSITIONS BEFORE INSTALLATION
AS ORIENTATION MAY VARY



ComLab 90 Degree Fume Cupboard Outlet - Water

OPTIONAL ACCESSORIES

LCN174	Quick Connect Elbow - 1/4" BSP x 8mm 90 Degree
LC189	1 Metre Flexible Hose - 1/4" x 1/2" F&F Connectors - Water
LCN172-5	Aerator and Adaptor - 5.7 L/min Laminar Flow TJ - LCN
LCN175	Laboratory - LCN Adaptor - 1/2" BSP M Outlet

SPARE PARTS

LCN171	ComLab - Tube Nozzle - Dual Check Valve - LCN Water Products
LCN187	Dual Check Valve - LCN Nozzle
LCN190	Flow Control - LCN Tube Nozzle - 6L/min