

ComLab 150mm Goose Neck Swivel Outlet - Hob Mounted

ComLab Goose Neck Swivel Outlet - Hob Mounted -
150mm reach - 260mm height

KEY FEATURES

- The durable powder coat finish gives significant protection against corrosion, discolouration and surface damage
- 1/2" BSP male inlet
- Lead-free brass



PRODUCT CODE

LCN162

ComLab 150mm Goose Neck Swivel Outlet -
Hob Mounted



Products are to be installed in accordance with the Plumbing Code of Australia and AS/NZS3500. Reference should also be made to the Australasian Health Facility Guidelines (AHFG), ABCB and Local Government regulations when considering the choice of, and the installation of these products.

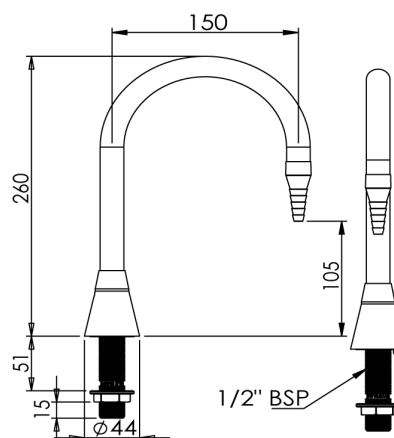
This product is compliant with the Lead Free requirements of NCC Volume Three.

Due to ongoing Research and Development, specifications may change without notice. Component specifications may change on some export models.

Refer to warranty statement for warranty details - www.enware.com.au/warranty.

TECHNICAL DATA

Finish	Powder Coating
Maximum Recommended Temperature	70°C
Maximum Recommended Pressure	500kPa
Primary Flow Rate	6 L/min
Inlet Connection	1/2" BSP (15mm)



SPARE PARTS

LCN171	ComLab - Tube Nozzle - Dual Check Valve - LCN Water Products
LCN187	Dual Check Valve - LCN Nozzle
LCN190	Flow Control - LCN Tube Nozzle - 6L/min

Version 23 March 2026

1300 369 273 | info@enware.com.au | enware.com.au

ENWARE
A WATTS Brand