

Type 26-7 Lab Bench Bib Tap with Lever Handle and Anti-Vandal Aerator - 6 lpm

Bench mounted bib tap with lever action handle, suitable for wash troughs and sinks.

Enware's School Lab series robust water fittings are built for the rigours of school laboratory, wash trough and practical activity trough (PAT) applications.

This product is part of NSW School Specification and includes an Anti-Vandal Aerator and Tube Nozzle.

KEY FEATURES

- Quarter-turn Ceramic Disc
- Vandal resistant lever handle
- Anti-Vandal Aerator
- 6 Star WELS Aerated/ 5 Star WELS Tube Nozzle
- Anti Rotation pins and heavy duty fixing backnut
- Suitable for troughs, sinks
- High quality construction with durable chrome plating
- Lead free brass



PRODUCT CODE

LF118SL

Type 26-7 Lab Bench Bib Tap with Lever Handle and Anti-Vandal Aerator - 6 lpm



Products are to be installed in accordance with the Plumbing Code of Australia and AS/NZS3500. Reference should also be made to the Australasian Health Facility Guidelines (AHFG), ABCB and Local Government regulations when considering the choice of, and the installation of these products.

This product is compliant with the Lead Free requirements of NCC Volume Three.

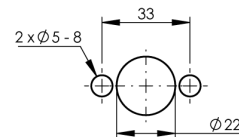
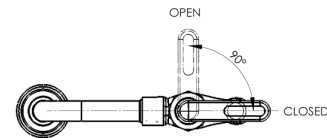
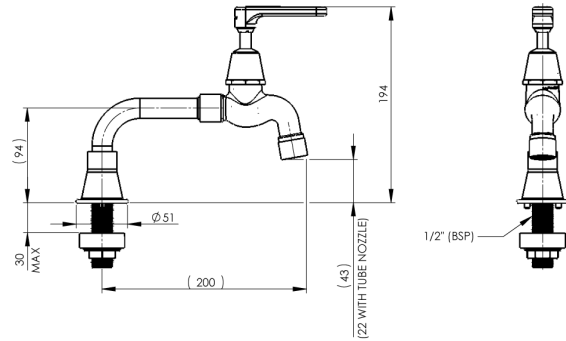
Due to ongoing Research and Development, specifications may change without notice. Component specifications may change on some export models.

Refer to warranty statement for warranty details - www.enware.com.au/warranty.

Type 26-7 Lab Bench Bib Tap with Lever Handle and Anti-Vandal Aerator - 6 lpm

TECHNICAL DATA

WELS Category	Tapware
Standard WELS	5 Stars
Standard WELS Flow Rate	6 L/min
First Additional WELS	6 Stars
First Additional WELS Flow Rate	3.5 L/min
Finish	Chrome
Valve Type	1/4 Turn Ceramic Disc
Mounting Notes	Bench Mounted
Maximum Ceramic Disk Operating Temperature	85°C
Maximum Recommended Pressure	500kPa
Maximum Static Pressure	800kPa
Inlet Connection	1/2" BSP (15mm) MI



INSTALLATION DETAIL (BENCHTOP CUT OUT)

PLEASE CHECK LOCKING PIN
POSITIONS BEFORE INSTALLATION
AS ORIENTATION MAY VARY

Type 26-7 Lab Bench Bib Tap with Lever Handle and Anti-Vandal Aerator - 6 lpm

SPARE PARTS

VPQ380	School Pattern Stuffing Box Assembly - Bib/Pillar - 1/2 Turn Ceramic Disc
LIV80378-B	Lever Handle 80mm – Blue
MIS590	Vandal Proof Key Only
SP310	Tube Nozzle 15mm
SP303	Aerator - Anti-Vandal - No.7
SP304	Aerator - Anti-Vandal - Key to Suit - No.7