

Type 40 - 2-Way Gas Turret 90 Degree MI 15mm 7kPa

Enware's School Lab series includes robust water and gas fittings built for the rigours of school laboratory applications. This product is AGA approved and are suitable for natural gas, LPG and tempered LPG (maximum pressure of 7kPa).

KEY FEATURES

- Nozzle suitable for 10mm ID tube
- Yellow GAS indicator button
- Tapered plug
- Anti-rotation lugs on base
- High quality construction with durable chrome plating
- AGA Cert.4757 AS4617-2018



PRODUCT CODE

LF125

Type 40 - 2-Way Gas Turret 90 Degree MI
15mm 7kPa

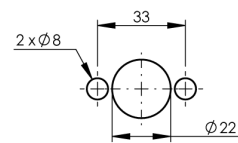
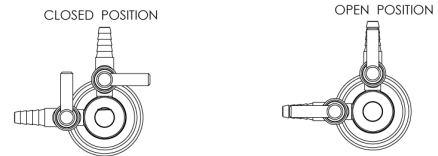
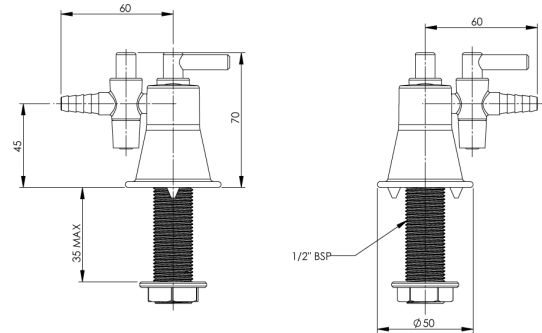


Due to ongoing Research and Development, specifications may change without notice.
Component specifications may change on some export models.
Refer to warranty statement for warranty details - www.enware.com.au/warranty.

Type 40 - 2-Way Gas Turret 90 Degree MI 15mm 7kPa

TECHNICAL DATA

Finish	Chrome
Inlet Connection	1/2" BSP Male
Maximum Recommended Pressure	7kPa
Gas Consumption	5.7 Mj/hour through one plug cock



INSTALLATION DETAIL
(BENCHTOP CUT OUT)
PLEASE CHECK LOCKING PIN
POSITIONS BEFORE INSTALLATION
AS ORIENTATION MAY VARY