

Type 16C7 Laboratory Stop Tap 200mm Swivel and Fixed Outlet Anti Vandal Aerator/ Tube Nozzle - School Pattern Handle - Quarter-Turn Ceramic Disc

A single hole Vandal resistant laboratory tap with 200mm swivel spout and locking mechanism for fixed spout. Supplied with 6 Star Anti-Vandal Aerator and 5 Star Tube Nozzle. Can be installed Left or Right Hand orientation.

KEY FEATURES

- Bench mounted
- Quarter-turn ceramic disc
- Vandal resistant school pattern handle
- 200mm Spout can be Fixed or Swivel
- Left or Right Handed
- Anti-Vandal Aerator (WELS 6 Star)
- Tube Nozzle (WELS 5 Star)
- Anti-rotation pins
- High quality construction with durable chrome plating
- Supplied with Hot/ Cold/ Warm indicators
- Lead free brass



PRODUCT CODE

LFQ109S

Type 16C7 Laboratory Stop Tap 200mm Swivel and Fixed Outlet Anti Vandal Aerator/ Tube Nozzle - School Pattern Handle - Quarter-Turn Ceramic Disc



Products are to be installed in accordance with the Plumbing Code of Australia and AS/NZS3500. Reference should also be made to the Australasian Health Facility Guidelines (AHFG), ABCB and Local Government regulations when considering the choice of, and the installation of these products.

This product is compliant with the Lead Free requirements of NCC Volume Three.

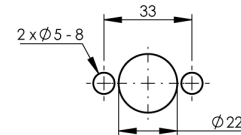
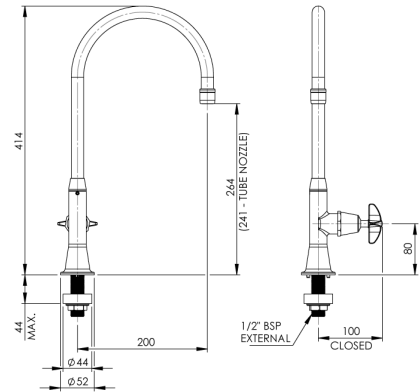
Due to ongoing Research and Development, specifications may change without notice. Component specifications may change on some export models.

Refer to warranty statement for warranty details - www.enware.com.au/warranty.

Type 16C7 Laboratory Stop Tap 200mm Swivel and Fixed Outlet Anti Vandal Aerator/ Tube Nozzle - School Pattern Handle - Quarter-Turn Ceramic Disc

TECHNICAL DATA

WELS Category	Tapware
Standard WELS	5 Stars
Standard WELS Flow Rate	6 L/min
First Additional WELS	6 Stars
First Additional WELS Flow Rate	3.5 L/min
Finish	Chrome
Valve Type	1/4 Turn Ceramic Disc
Water Options	Cold, Hot, Warm
Maximum Ceramic Disk Operating Temperature	85°C
Maximum Recommended Pressure	500kPa
Maximum Static Pressure	800kPa
Inlet Connection	1/2" BSP (15mm) MI



INSTALLATION DETAIL
(BENCHTOP CUT OUT)

PLEASE CHECK LOCKING PIN
POSITIONS BEFORE INSTALLATION
AS ORIENTATION MAY VARY

SPARE PARTS

VPQ380	School Pattern Stuffing Box Assembly - Bib/Pillar - 1/2 Turn Ceramic Disc
VP378	School Pattern - Handle
MIS590	Vandal Proof Key Only
MIS595RYB	Spare Parts: Indicator Button Kit - Hot / Cold / Warm - Stick On
VPQ390	School Pattern Bib/Pillar Top Assembly - 1/2 Turn Ceramic Disc
SP310	Tube Nozzle 15mm
SP303	Aerator - Anti-Vandal - No.7
SP304	Aerator - Anti-Vandal - Key to Suit - No.7