

# Restore Secure Anti-Ligature Solid Surface Wall Faced Pan Accessible Toilet 800mm with Grey Integrated Seat

The Restore damage resistant anti-ligature pan is made from a unique robust solid surface material that is a reliable and vandal proof softer aesthetic for institutionalised environments. Highly suited to mental health facilities, prison custody cells and detention environments, care homes, public amenities, parks and stadiums, hospitality projects and hospitals.

The front of wall installation includes a trap convertor that is shrouded within the pan and has fixing points to the wall and to the floor for ease of installation. The rimless bowl is constructed in one piece which makes it an anti-ligature, contraband proof, and secure solution for at risk applications.

Utilising modern styling, our WC pan helps normalising the environment, making use of a fully rimless hygienic flush design, with no ledges or steps within the internal bowl shape, reducing the chances of staining sanitaryware as water is prevented from staying on surfaces where lime scale can build up. The polished solid surface material allows the unit to be easy to clean and hygienic.

This raised height WC is considered as "comfort height" along with the extended projection of the pan that ensures full compliance towards AS1428.1.

## KEY FEATURES

- Front of wall shrouded waste design and supplied with an S Trap convertor for ease of installation
- Grey integral moulded seat aids the visually impaired
- Polished high gloss effect which can provide a normalised look in mental healthcare applications or institutional environments
- Damage resistant material to help reduce weaponisation within a secure environment
- Unique Anti-ligature design features to minimise self-harm
- Rimless design providing a high level of hygiene and contraband proof
- Bolt to Floor and bolt to wall design comes as a standard option as well as bolt through wall fixings
- Non-Flammable -BS476 Pt 6 & 7 Class '0' and Class '1'
- ISO EN 19712-3-2007 Rated 5 for durability, stain resistance and cigarette burn
- WaterMark Approved to AS/NZS 1172.1
- WELS rated 6/3 Litre Flush (3 Star)
- Designed for public washrooms which must conform to AS1428.1 Accessible requirements as well as environments such as Care Homes and Accessible Washroom facilities



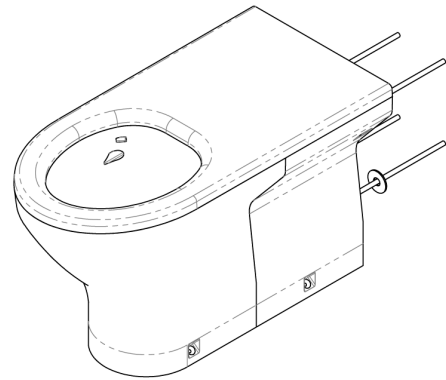
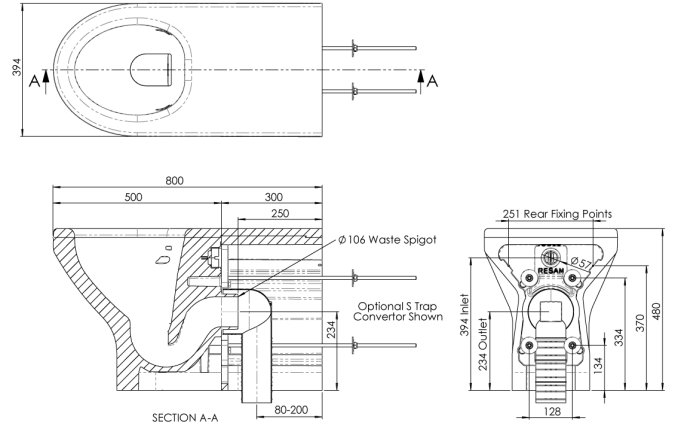
## PRODUCT CODE

RH-WCWFPS-ACC Restore Secure Anti-Ligature Solid Surface Wall Faced Pan Accessible Toilet 800mm with Grey Integrated Seat



# Restore Secure Anti-Ligature Solid Surface Wall Faced Pan Accessible Toilet 800mm with Grey Integrated Seat

## TECHNICAL DATA



## CISTERN OPTIONS

RH-CIS4-ACC	Restore Pneumatic In-wall dual flush cistern with raised buttons anti-vandal plate 4.5/3L
-------------	---

Due to ongoing Research and Development, specifications may change without notice. Component specifications may change on some export models. Refer to warranty statement for warranty details - [www.enware.com.au/warranty](http://www.enware.com.au/warranty).

Products are to be installed in accordance with the Plumbing Code of Australia and AS/NZS3500. Reference should also be made to the Australasian Health Facility Guidelines (AHFG), ABCB and Local Government regulations when considering the choice of, and the installation of these products.