

Restore: Wall Basin Mixer Control Panel - Outlet

The Custodian®Restore range of products is designed to offer user safety, comfort and ease of use in a specialised health care setting. With user feedback as to temperature and run time, feather-light activation and precise adjustment, bathing comfort is greatly enhanced.

KEY FEATURES

- Polished stainless steel finish is attractive and easy to clean, with clear pictograms to assist use. Robust and secure, impact resistant, designed to exceed IK10 requirements
- Exceeds Anti-Ligature requirements of TS001:2013 *
- Designed for flush-to-wall installation in standard 90mm cavity or brick/block wall. The heavy duty galvanised in-wall bracket provides a strong and secure fixing point for the face plate mounting.
- Easy installation with cables included for connection to the Restore Smartboard
- LED backlit temperature and run-time indication every minute for showering as well as flow ending indication



PRODUCT CODE

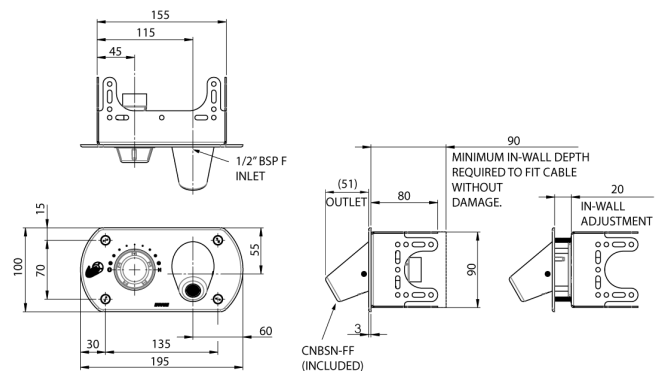
RHBSNMIXBT	RESTORE WALL BSN MIX AND SPOUT F/FIX
------------	--------------------------------------



Due to ongoing Research and Development, specifications may change without notice. Component specifications may change on some export models. Refer to warranty statement for warranty details - www.enware.com.au/warranty.

TECHNICAL DATA

Standard WELS	3Stars
Standard WELS Flow Rate	8L/min
Flow Rate	8L/min
Operating Voltage	12V
Maximum Cable Length	6m
IP Rating	68



SPARE PARTS

DET667	Spare Parts: Detention: Basin Outlet Wall Mounted with Anti Vandal Aerator
MAAD013	Spare Parts: Maaden Aerator Only 4 Off