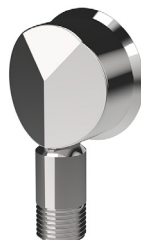


Shower Wall Elbow - Dual Check Lead Free

Installation and Maintenance Instructions

SP267L



technical data

Working Pressure Range	Min 100 kPa Max 500 kPa
Maximum Working Temperature	70°C
Maximum Flow Rate	19 L/min
Connection	1/2" BSP FI x 1/2" BSP MI



Enware products are to be installed in accordance with the Plumbing Code of Australia (PCA) and AS/NZS3500. Installations not complying with PCA and AS/NZS 3500 may void the product and performance warranty provisions.

Reference should also be made to the Australasian Health Facility Guidelines (AHFG), ABCB and Local Government regulations when considering the choice of, and the installation of these products.

This product is compliant with the Lead Free requirements of NCC Volume Three.

This product must be installed and commissioned by a qualified plumber.

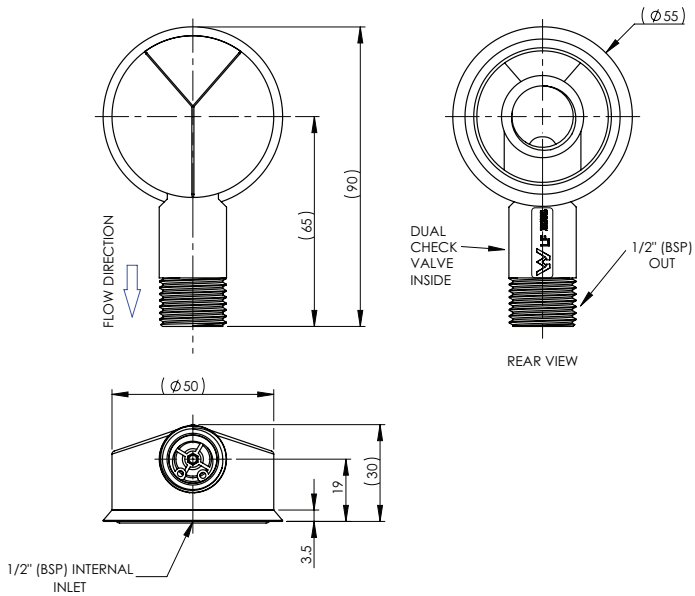
For use with potable water only.

NOTE: Enware Australia advises:

1. Due to ongoing Research and Development, specifications may change without notice.
2. Component specifications may change on some export models.
3. Refer to warranty statement for warranty details - www.enware.com.au/warranty

100688_11 Jun 2026

Rev. A.0



installation

- Ensure all supply lines are flushed thoroughly to remove debris prior to the installation of this product. Strainers (40 mesh) are recommended if debris is an ongoing problem.
- A pressure reduction valve may be required to comply with the recommended maximum supply pressure requirements.

INSTALLATION

1. Prepare 1/2" BSP male thread inlet point on wall. Allow for 17mm of thread protruding from finished wall. **SEE IMAGE 01**
2. Seal any gaps between thread and wall with silicone sealant. Apply thread sealant to the inlet thread connection on wall. **SEE IMAGE 02**
3. Fit O-ring and Dress Ring on the back of wall elbow, and screw wall elbow onto the 1/2" thread. Tighten firmly by hand, and ensure the outlet faces straight down. **SEE IMAGE 02**
4. Fit shower hose onto the outlet thread.

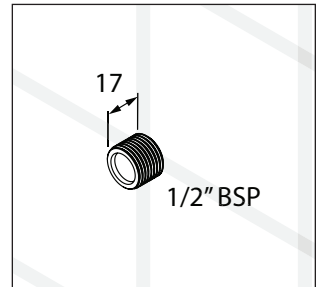


IMAGE 01

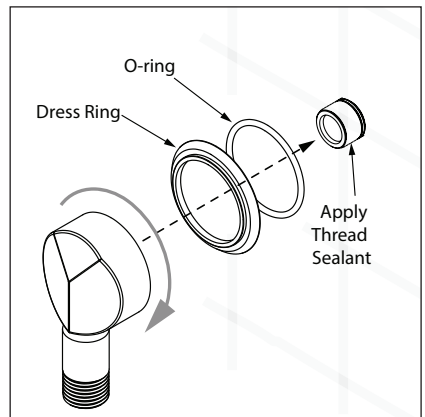


IMAGE 02

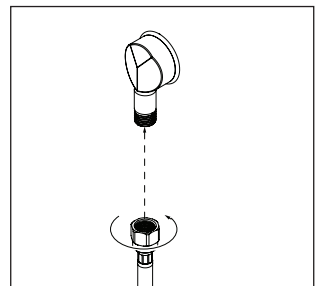


IMAGE 03

cleaning

Enware products should be cleaned with a soft damp cloth using only mild liquid detergent or soap and water. Do not use cleaning agents containing a corrosive acid, scouring agent or solvent chemicals. Do not use cream cleaners, as they are abrasive. Use of unsuitable cleaning agents may damage the surface. Any damage caused in this way will not be covered by warranty.

troubleshooting

PROBLEM	CAUSE	RECTIFICATION
Poor water flow	Check valves are blocked by debris	Release circlip, gently pull out check valves with pliers and clean. Install an inline strainer.