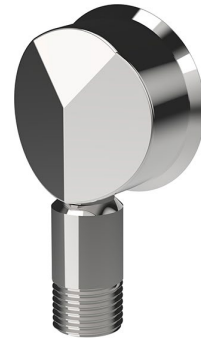


# Shower Wall Elbow - Dual Check Lead Free

Shower Wall Elbow with Dual Check- Suitable for use with Hand showers and other similar products

## KEY FEATURES

- Dual Spring Checks (non-testable)
- Lead free brass



## PRODUCT CODE

SP267L

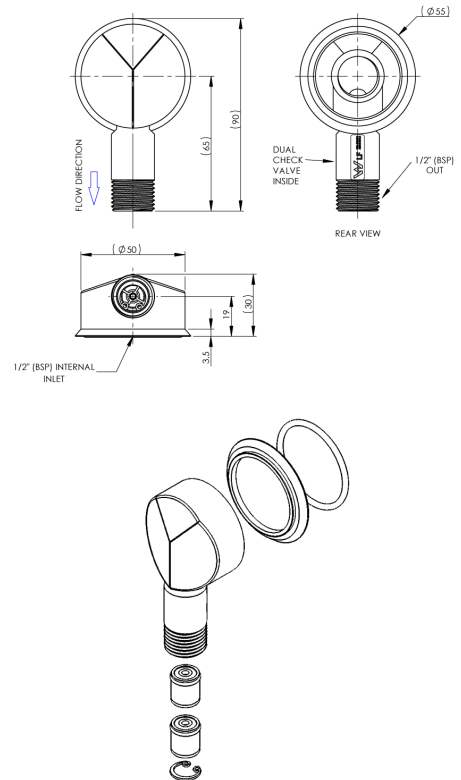
Shower Wall Elbow - Dual Check Lead Free



# Shower Wall Elbow - Dual Check Lead Free

## TECHNICAL DATA

Finish	Chrome
Maximum Recommended Temperature	70°C
Minimum Recommended Pressure	100 kPa
Maximum Recommended Pressure	500 kPa
Connection	1/2" BSP FI x 1/2" BSP MI
Maximum Flow Rate	19 L/min



Products are to be installed in accordance with the Plumbing Code of Australia and AS/NZS3500. Reference should also be made to the Australasian Health Facility Guidelines (AHFG), ABCB and Local Government regulations when considering the choice of, and the installation of these products.

Due to ongoing Research and Development, specifications may change without notice.  
Component specifications may change on some export models.

Refer to warranty statement for warranty details - [www.enware.com.au/warranty](http://www.enware.com.au/warranty).  
This product is compliant with the Lead Free requirements of NCC Volume Three.