

School Pattern Recess Set with SP120 Swivel Spout - Jumper Valve (NSW School Specification)

Enware's vandal resistant School Pattern tapware is constructed from lead free brass with durable chrome plating and an easy to clean design. The handle and spout are vandal resistant and require a special key to remove.

KEY FEATURES

- Jumper Valve
- Wall mounted curved swivel spout with anti-vandal aerator
- Vandal resistant school pattern handle
- Blue (Cold), Yellow (Warm) and Red (Hot) indicator buttons supplied standard
- Serviceable with all wearing components replaceable, thus providing an even longer life
- Constructed from lead free brass
- Durable bright chrome finish
- 5 Star or 6 Star WELS
- NSW School Specification



PRODUCT CODE

VP317S

School Pattern Recess Set with SP120 Swivel Spout - Jumper Valve (NSW School Specification)



Products are to be installed in accordance with the Plumbing Code of Australia and AS/NZS3500. Reference should also be made to the Australasian Health Facility Guidelines (AHFG), ABCB and Local Government regulations when considering the choice of, and the installation of these products.

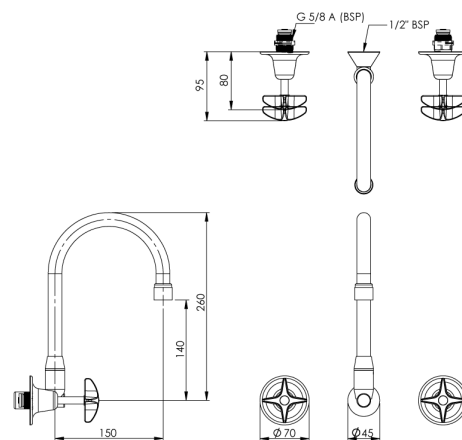
This product is compliant with the Lead Free requirements of NCC Volume Three.

Due to ongoing Research and Development, specifications may change without notice. Component specifications may change on some export models.

Refer to warranty statement for warranty details - www.enware.com.au/warranty.

TECHNICAL DATA

Recommended Pressure	50kPa – 500kPa
Maximum Static Pressure	1200kPa
Maximum Recommended Temperature	70°C
Maximum Jumper Valve Working Temperature	95°C
Flow Rate	6L/min 3.8L/min aerator supplied loose in carton
Finish	Chrome
Valve Type	Jumper Valve



School Pattern Recess Set with SP120 Swivel Spout - Jumper Valve (NSW School Specification)

OPTIONAL ACCESSORIES

VP383	School Pattern - Recess Stuffing Box Assembly - Jumper Valve - 15mm Extended
VP384	School Pattern - Recess Stuffing Box Assembly - Jumper Valve - 20mm Extended

SPARE PARTS

VP382	School Pattern - Recess Stuffing Box Assembly - Jumper Valve
VP382	School Pattern - Recess Stuffing Box Assembly - Jumper Valve
SP192	Wall Mounted - Spout Base - Classic Outlet Range
MIS590	Vandal Proof Key Only
MK059	Spare Parts: Aerator Insert - 8Lpm
MIS595RYB	Spare Parts: Indicator Button Kit - Hot / Cold / Warm - Stick On