

# School Pattern Pillar Tap Aerated Outlet - Jumper Valve - NSW School Specification

Enware's vandal resistant School Pattern tapware is constructed from dezincification resistant (DR) brass with durable chrome plating and an easy to clean design. The handle features a vandal resistant internal locking ring securing it to the spindle and requires a special key to remove. The spout is fitted with an anti-vandal aerator housing.

## KEY FEATURES

- Jumper Valve
- Fits square or round tap hole
- Spout with anti-vandal aerator
- Vandal resistant school pattern handle
- Blue (Cold), Yellow (Warm) and Red (Hot) indicator buttons supplied standard
- Serviceable with all wearing components replaceable, thus providing an even longer life
- Constructed from lead free brass
- Durable bright chrome finish
- 5 Star or 6 Star WELS
- NSW School Specification



## PRODUCT CODE

VP327S

School Pattern Pillar Tap Aerated Outlet -  
Jumper Valve - NSW School Specification



Products are to be installed in accordance with the Plumbing Code of Australia and AS/NZS3500. Reference should also be made to the Australasian Health Facility Guidelines (AHFG), ABCB and Local Government regulations when considering the choice of, and the installation of these products.

This product is compliant with the Lead Free requirements of NCC Volume Three.

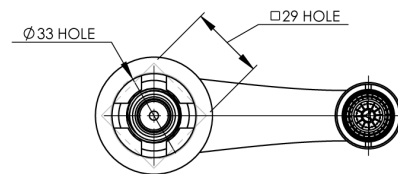
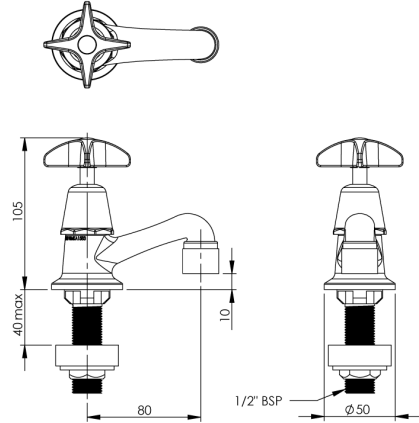
Due to ongoing Research and Development, specifications may change without notice. Component specifications may change on some export models.

Refer to warranty statement for warranty details - [www.enware.com.au/warranty](http://www.enware.com.au/warranty).

# School Pattern Pillar Tap Aerated Outlet - Jumper Valve - NSW School Specification

## TECHNICAL DATA

Inlet Connection	1/2" BSP (15mm) MI
Recommended Pressure	50kPa – 500kPa
Maximum Static Pressure	1200kPa
Maximum Recommended Temperature	70°C
Maximum Jumper Valve Working Temperature	95°C
Flow Rate	6L/min 3.8L/min aerator supplied loose in carton
Finish	Chrome
Valve Type	Jumper Valve



FIT BOTH ROUND & SQUARE HOLE  
INSTALLATION DETAIL

## SPARE PARTS

VP380	School Pattern - Bib/Pillar Stuffing Box Assembly - Jumper Valve
SP301	Aerator - M22x1 F/Male - No.1 - Standard
MIS590	Vandal Proof Key Only
MIS595RYB	Spare Parts: Indicator Button Kit - Hot / Cold / Warm - Stick On