

Screw Operated 15mm Cistern Tap with Cover - Jumper Valve - Chrome Plated

Screw Operated 15mm Cistern Tap with Cover - Jumper Valve - Chrome Plated

KEY FEATURES

- Screw driver operated spindle - can be turned with slotted screw driver
- Spindle is protected by a screw-on cover when not in use
- Provides an easily accessible isolation point with a level of security
- Heavy duty dezincification resistant (DR) brass
- Durable bright chrome finish



PRODUCT CODE

VP358

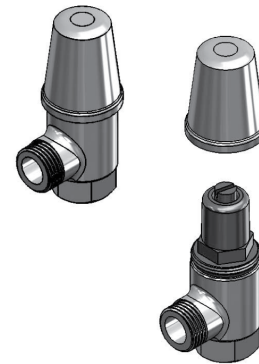
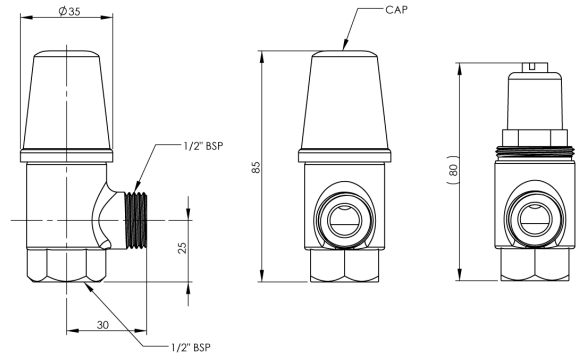
Screw Operated 15mm Cistern Tap with Cover - Jumper Valve - Chrome Plated



Screw Operated 15mm Cistern Tap with Cover - Jumper Valve - Chrome Plated

TECHNICAL DATA

Maximum Recommended Temperature	70°C
Maximum Jumper Valve Working Temperature	95°C
Minimum Recommended Pressure	50kPa
Maximum Recommended Pressure	500kPa
Maximum Static Pressure	1200kPa
Inlet Connection	1/2"BSP (15mm) FI
Outlet Connection	1/2"BSP (15mm) MI
Finish	Chrome
Valve Type	Jumper Valve



Products are to be installed in accordance with the Plumbing Code of Australia and AS/NZS3500. Reference should also be made to the Australasian Health Facility Guidelines (AHFG), ABCB and Local Government regulations when considering the choice of, and the installation of these products. Due to ongoing Research and Development, specifications may change without notice. Component specifications may change on some export models. Refer to warranty statement for warranty details - www.enware.com.au/warranty.