

Enware Wellbeing Back-to-Wall Close-Coupled Toilet Suite - Standard Height with Grey Single Flap Seat

A perfect mix of robust and commercial quality together with sophisticated and timeless design made to the highest standards of quality craftsmanship.

This water saving toilet suite is well suited for a broad range of applications including hospital ensuites, public spaces, schools, along with residential aged care and independent living units. Its rimless design underlines its suitability in terms of high infection control, hygiene and care. A design that matches Enware's comprehensive range of wash basins and adaptable vanities for a complete solution.

KEY FEATURES

- Rimless flush
- Wall faced
- Easy to clean surface
- Compact design
- Vitreous China
- 4.5/ 3 Litre dual flush with anti-vandal flush button
- Pan load tested to 400kg
- P or S Trap (S-trap adaptor included)
- Back inlet - high level
- Concealed fixing brackets and screws
- Single flap grey seat included - load tested 407kg



PRODUCT CODE

WB-WCCCBTW-SH-G	Enware Wellbeing Back-to-Wall Close-Coupled Toilet Suite - Standard Height with Grey Single Flap Seat
-----------------	---



Products are to be installed in accordance with the Plumbing Code of Australia and AS/NZS3500. Reference should also be made to the Australasian Health Facility Guidelines (AHFG), ABCB and Local Government regulations when considering the choice of, and the installation of these products.

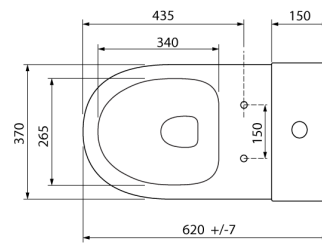
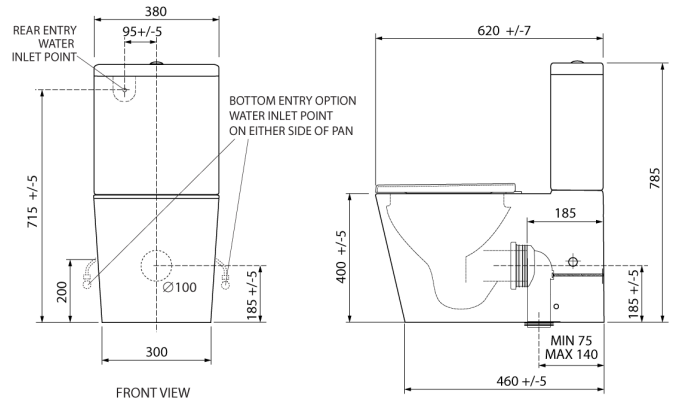
Due to ongoing Research and Development, specifications may change without notice. Component specifications may change on some export models.

Refer to warranty statement for warranty details - www.enware.com.au/warranty.

Enware Wellbeing Back-to-Wall Close-Coupled Toilet Suite - Standard Height with Grey Single Flap Seat

TECHNICAL DATA

WELS Category	Lavatory
Standard WELS	4 Stars
WELS Full Flush Volume	4.5 L
WELS Half Flush Volume	3 L
Pan Load Rating	400 kg
Maximum Recommended Pressure	500 kPa
Inlet Connection	15mm (1/2" BSP)
Outlet Connection	DN100 DWV PVC Pipe (S-Trap Adaptor) / DN100 DWV PVC Pan Collar (P-Trap)
Connection Notes	Back inlet



OPTIONAL ACCESSORIES

WELLBEING-S003	Dual Flush Button Raised
----------------	--------------------------