

Wellbeing® Leva 150mm Recess Wall Set with Standard Sink Spout - Jumper Valve

Installation and Maintenance Instructions

WLJV150WSET



technical data

Working Pressure Range	Min 50 kPa Max 500 kPa
Maximum Static Pressure	1200 kPa
Maximum Working Temperature	95°C (Jumper Valve)
Inlet Connection	1/2" BSP
Flow Rate	5 L/min (WELS 5 Star) 4 L/min (WELS 6 Star)

Enware products are to be installed in accordance with the Plumbing Code of Australia (PCA) and AS/NZS3500. Installations not complying with PCA and AS/NZS 3500 may void the product and performance warranty provisions.

Reference should also be made to the Australasian Health Facility Guidelines (AHFG), ABCB and Local Government regulations when considering the choice of, and the installation of these products.

This product must be installed and commissioned by a qualified plumber.

For use with potable water only.

NOTE: Enware Australia advises:

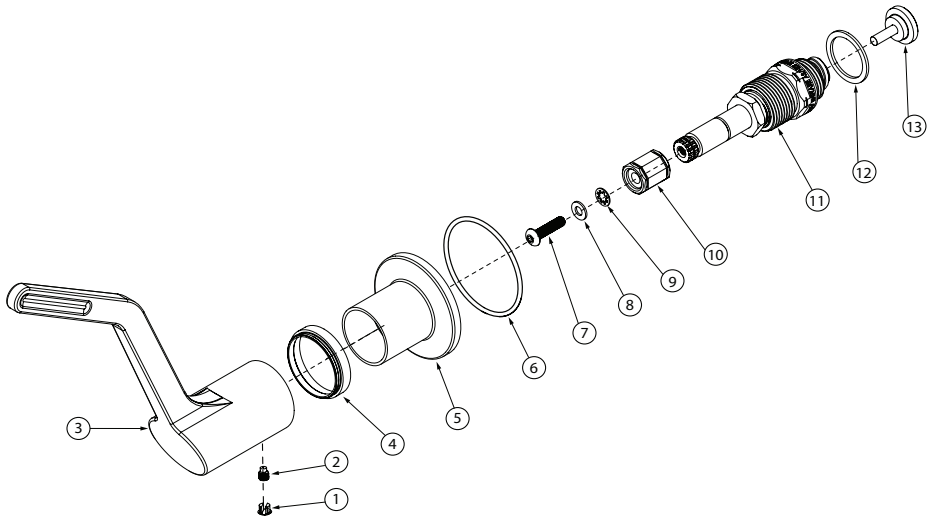
1. Due to ongoing Research and Development, specifications may change without notice.
2. Component specifications may change on some export models.

100465_20 Jun 2024

1300 369 273 | info@enware.com.au | enware.com.au

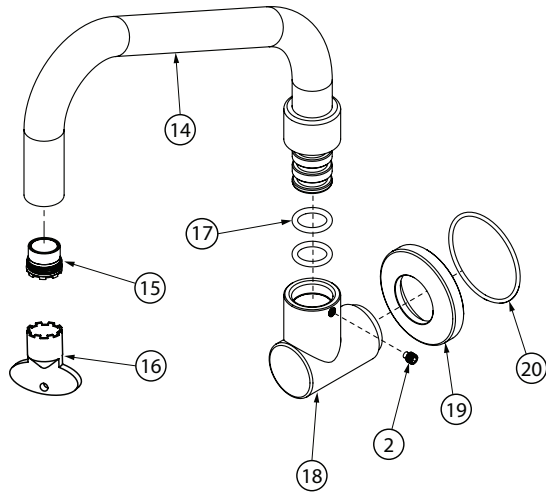
ENWARE
A WATTS Brand

RECESS ADAPTOR



- | | | | |
|---|--|----|-----------------|
| 1 | Handle plug | 8 | Washer (Nylon) |
| 2 | Grub screw M5 | 9 | Tooth washer M5 |
| 3 | Lever handle 150mm | 10 | Spline adaptor |
| 4 | Colour indicator ring
(red/ yellow/ blue) | 11 | SBA spindle |
| 5 | Flange | 12 | Fibre washer |
| 6 | O-ring BS032 | 13 | Jumper valve |
| 7 | Screw M5x20 | | |

SINK SPOUT



- 14 Spout
- 15 Aerator Laminar 5lpm
Cache TT
- 16 Aerator key Cache TT
- 17 O-ring BS030
- 18 Wall swivel
- 19 Dress ring
- 20 O-ring BS113

installation

- All supply lines must be flushed thoroughly to remove debris prior to the installation of this product. Strainers (40 mesh) are recommended if debris is an ongoing problem.
- A pressure reduction valve may be required to comply with the recommended maximum supply pressure and/or balanced pressure requirements.

INSTALLATION

1. Prepare tap body in wall, taking into account the wall depth required for the tap.
Range 1mm to 14mm from finished wall to the face of tap body. **SEE IMAGE 01**

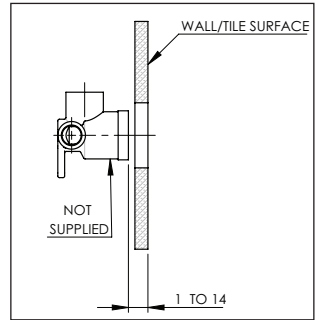


IMAGE 01

2. Remove plastic protective cap from SBA.

Take note of the way the handles turn. **SEE IMAGE 02**

LTC (Anti-clockwise to close/cold) is marked with a groove in the middle of the spline of spindle.

RTC (Clockwise to close) has no groove on the spline.

SEE IMAGE 03

3. After the wall is finished, screw SBA spindle [11] into tap body in wall. Use the hex provided on the SBA spindle to tighten with a spanner. Do not over-tighten. (Max. torque 30 Nm) **SEE IMAGE 04**

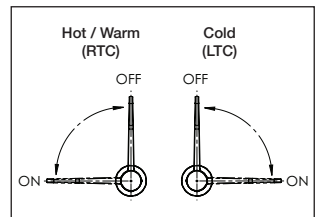


IMAGE 02

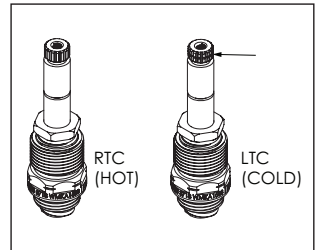


IMAGE 03

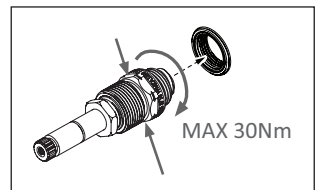


IMAGE 04

- Fit spline adaptor [10] onto spindle. Fit tooth washer [9] and washer [8], and fix in place using screw [7].

SEE IMAGE 06

- Fit colour indicator ring [4] onto lever handle [3]. To do this, place an indicator ring on flat surface with the rebated edge facing up. Press the lever handle down onto the indicator ring evenly until it clips into place. **SEE IMAGE 09-1**

If an indicator ring needs to be removed, place lever handle on a flat surface and apply pressure to the side of the indicator ring, until the ring pops off.

- Fit lever handle onto spindle. Note the orientation of the tap handle. **SEE IMAGE 07**

If the lever handles do not line up straight:

- Change the position the spline adaptor [10] on the SBA spindle [11] in step 4.
- Adjust position of SBA spindle [11] by slightly tightening or loosening it, using a spanner on the hex of the SBA spindle. **SEE IMAGE 04**

Note: Do not adjust position of SBA using handle. Do not over-tighten SBA spindle. (Max. torque 30Nm.)

Fit handle parts back on.

- If lever handles do not line up parallel in the straight position, it is recommended to offset them away from the centre.

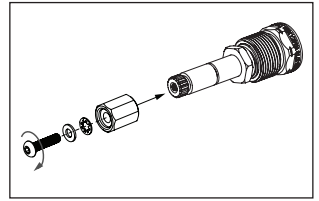
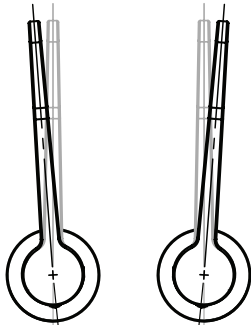


IMAGE 06

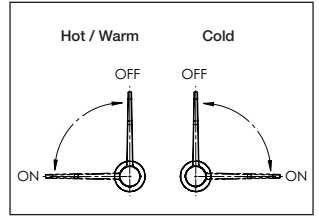


IMAGE 07

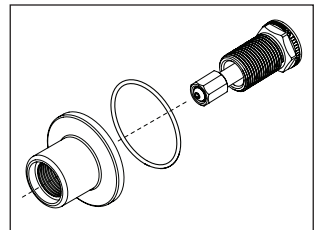


IMAGE 08

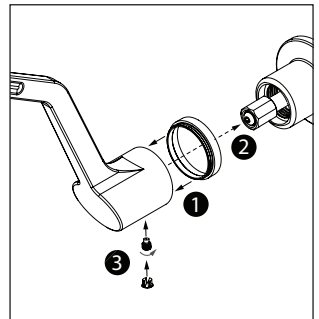


IMAGE 09

- Once the position of lever handle is set, take off the lever handle. Turn water supply on and test for leaks.
- Seal any gaps between the SBA and the wall if necessary.
- Fit O-ring [6] onto flange [5], then screw the flange onto SBA [11]. **SEE IMAGE 08**
- Fit lever handle back onto the spindle, and fix it in place with grub screw [2], then fit handle plug [1]. **SEE IMAGE 09**

INSTALLATION - Sink Spout

1. Prepare 1/2" BSP male inlet thread on wall. Allow for 18mm of thread protruding from finished wall. **SEE IMAGE 10**
2. Take grub screw [2] out of the wall swivel [18], and pull out the spout [14]. **SEE IMAGE 11**
3. Seal any gaps between thread and wall with silicone sealant. Fit O-ring [20] on dress ring [19] and fit onto the thread on wall.
4. Apply thread sealant to the thread on wall.
5. Screw wall swivel [18] onto the thread and tighten using 11mm or 7/16" Allen key through the inside of wall swivel fitting. Make sure the wall swivel is facing straight up.
6. Fit spout [14] back onto wall swivel [18], and fix it in place with grub screw [2]. The grub screw should be screwed in until it bottoms but not tightened, to allow the spout to swivel.

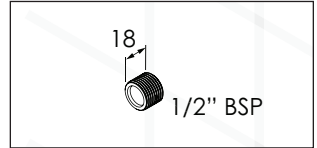


IMAGE 10

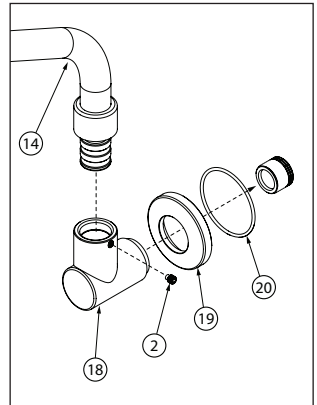
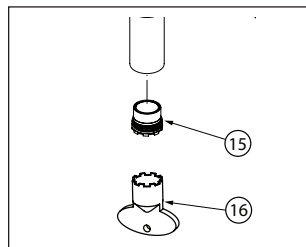


IMAGE 11

maintenance

CLEAN AERATOR

Clean aerator [15] periodically.
Unscrew the aerator using aerator key [16], and rinse it under running water.



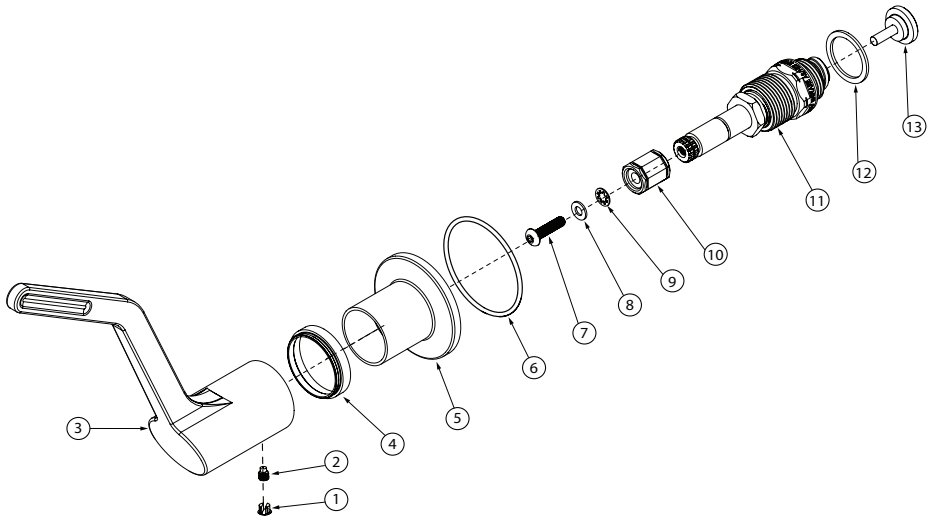
CLEANING

Enware products should be cleaned with a soft damp cloth using only mild liquid detergent or soap and water. Do not use cleaning agents containing a corrosive acid, scouring agent or solvent chemicals. Do not use cream cleaners, as they are abrasive. Use of unsuitable cleaning agents may damage the surface. Any damage caused in this way will not be covered by warranty.

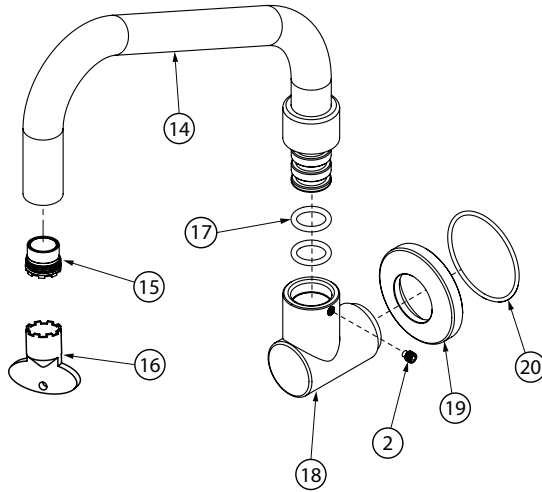
troubleshooting

PROBLEM	CAUSE	RECTIFICATION
Water leaking from outlet Water dripping and does not shut off	Jumper valve has debris caught in the mechanism.	Remove SBA and inspect. Remove debris and clean. Install an inline strainer.
	Tap seat is damaged	Refurbish tap seat using a reseating tool. If necessary, fit reseating kit or replace tap body.
	Jumper valve is worn or damaged	Replace jumper valve.
Water is leaking from spindle	Gland pack is loose	Tighten gland nut on SBA.
	Gland pack is damaged	Replace SBA.
Water is not flowing from tap	Water turned off.	Turn water on.
Poor water flow from outlet	Aerator / Flow control is blocked by debris.	Remove aerator from spout and clean debris. Install an inline strainer.
Handle does not align perfectly straight	Adjust position of spline adaptor or SBA. (See Installation - Step 6 on page 5.) Due to handles being spline mounted, handles may be offset slightly from vertical or straight. This is normal and unavoidable.	

spare parts

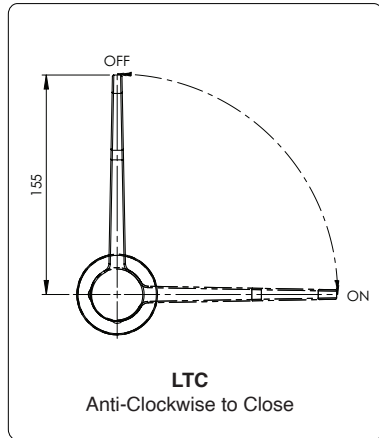
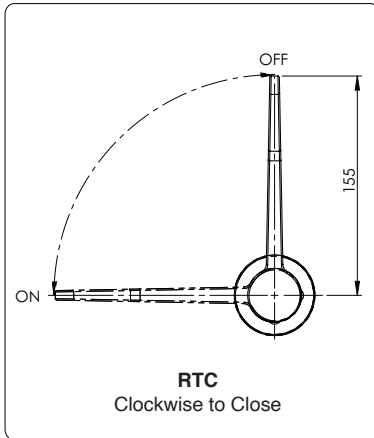
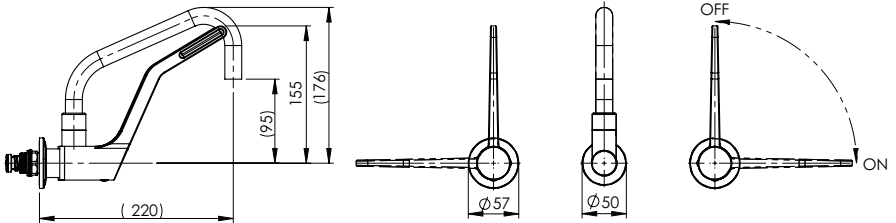
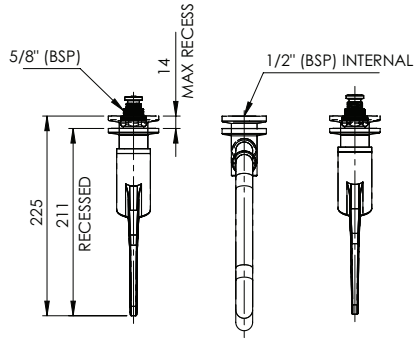


DESCRIPTION	PART CODE
Lever handle 150mm Parts: [1] [2] [3] [4-red,yellow,blue] [7] [8] [9] [10]	WLJS-150378
Colour indicators Parts: [4-red,yellow,blue]	WLJS398
SBA hot - RTC (Clockwise to close) Parts: [7] [8] [9] [11] [12] [13]	WLJS382RTC
SBA cold - LTC (Anti-clockwise to close) Parts: [7] [8] [9] [11] [12] [13]	WLJS382LTC
Spline adaptor Parts: [10]	890079
Grub screws Parts: [2]	FS734



DESCRIPTION	PART CODE
Wall mounted standard sink spout with 5 L/min laminar aerator Parts: [14] [15] [16] [17 x2] [18] [2] [19] [20]	SPC110
Aerator laminar insert with key - 5 L/min Cache TT Parts: [15] [16]	SPC50LF
Aerator laminar insert with key - 3.8 L/min Cache TT Parts: [15] [16]	SPC38AF
Grub screws, O-rings kit Parts: [2 x4] [17 x8]	FS734

dimensions



All measurements are in millimetres.

product warranty statement - WATTS AUSTRALIA

EFFECTIVE FROM 20 November 2023

This Warranty Statement applies to products supplied by Australian Valve Group Pty Ltd (ACN 068 227 270) (**AVG**) or Enware Pty Ltd (ACN 662 302 767) (**Enware**) (each of AVG and Enware, a Supplier) and installed within Australia.

Subject to the terms and conditions outlined in this Warranty Statement, each Supplier warrants to its customers that a product supplied by it (**Product**) will be free from all defects in material and workmanship under normal usage for the applicable Warranty Period (as set out in the Warranty Table below). The Warranty Period commences from the date of delivery of the relevant Product.

1. Conditions

The warranty provided under this Warranty Statement will not apply in respect of a Product (or any Product defect, fault or resulting damage) if:

- (a) the Product is not installed and maintained in accordance with the requirements of the applicable laws, standards and codes (including, without limitation to, the National Construction Code Volume Three – Plumbing Code of Australia, associated reference standards as applicable at the time and AS/NZS 3500);
- (b) the Product is not installed and maintained by a qualified technician in accordance with the relevant installation and operation manual and instructions; and
- (c) any Product defect, faulty or resulting damage arises from:
 - (i) failure by you or any other person to follow the relevant manual or instructions (relating to the handling, storage, installation, fitting, connection, adjustment, maintenance or repair of the Product) published or provided by the Supplier;
 - (ii) failure by you or any other person responsible for the fitting, installation, or other work on the Product to follow or conform to applicable laws, standards and codes (including, without limitation to, the AS/NZ 3500 set of Standards, all applicable State and Territory Plumbing Codes, the Plumbing Code of Australia and directions and requirements of local and other statutory authorities);
 - (iii) any parts or components not manufactured by the Supplier (or otherwise not authorised by the Supplier) are installed or combined with the Product, without the prior authorisation of the Supplier; or
 - (iv) any act or circumstance beyond our control including, without limitation to, accident, abnormal use, vandalism, fouling caused by foreign material, damage from adverse water conditions, chemical, acts of God, damage to buildings, other structures and infrastructure and loss or damage during transit or transportation of the Product, or any abuse, misuse, misapplication, improper installation or connection, or improper maintenance or alteration of the Product.

2. Make a claim

To make a claim under this Warranty Statement, you must notify the relevant Supplier in writing within 7 days of any alleged defect in the Product coming to your attention and provide the Supplier with proof of your purchase of the Product to the relevant Supplier:

- (a) If the Product is supplied by **AVG**, please contact AVG by telephone at 1800 284 287, or by email via its online portal <https://www.wattsau.com.au/support>.
- (b) If the Product is supplied by **Enware**, please complete the Product Service Request form (ENF091), which is available on request from our office (see contact details below), or online via <https://www.enware.com.au/warranty-service-form/>. All notifications and accompanying forms must be sent to Enware marked for the attention of Enware, 9 Endeavour Road, Caringbah NSW 2229. Enware can also be contacted by telephone (1300 369 273) or by email (info@enware.com.au).

On receipt of a notification from you of a claim under this Warranty Statement, the relevant Supplier may contact you requesting you provide reasonably additional evidence, information or details about your claim, or requiring that the relevant Product should be returned to the Supplier (in accordance with the Supplier's instructions) for inspection and testing.

Your failure to comply with any such request within a reasonable amount of time may result in your claim under this Warranty Statement being rejected.

3. Our responsibilities

(a) In the event that the Supplier is reasonably satisfied that there is a defect in the relevant Product within the applicable Warranty Period, the Supplier will, at its option, replace the Product, supply an equivalent product or repair the Product, free of charge. Your costs in making a warranty claim under this Warranty Statement, including any costs in relation to freight, collection, delivery and installation, are to be borne and paid by you. However, if in respect of a Product, it is indicated in the Warranty Table that labour support will be provided, and the Supplier is reasonably satisfied that a defect in the Product takes place during the period that labour support will be provided as indicated in the Warranty Table, the Supplier will bear the costs for delivery, repair and installation of the replacement Product (as applicable).

(b) TO THE EXTENT PERMITTED BY LAW AND SUBJECT TO PARAGRAPH 4 BELOW AND THE OPERATION OF THE AUSTRALIAN CONSUMER LAW:

- (i) THE WARRANTY SET OUT IN THIS WARRANTY STATEMENT IS GIVEN EXPRESSLY AND IS THE ONLY WARRANTY GIVEN BY THE SUPPLIER WITH RESPECT TO THE RELEVANT PRODUCT;
- (ii) THE SUPPLIER MAKES NO OTHER WARRANTIES, EXPRESS OR IMPLIED;
- (iii) THE SUPPLIER HEREBY SPECIFICALLY DISCLAIMS ALL OTHER WARRANTIES, EXPRESS OR IMPLIED, INCLUDING BUT NOT LIMITED TO, THE IMPLIED WARRANTIES OF MERCHANTABILITY AND FITNESS FOR A PARTICULAR PURPOSE; AND
- (iv) THE REMEDY DESCRIBED IN THIS WARRANTY STATEMENT SHALL CONSTITUTE THE SOLE AND EXCLUSIVE REMEDY FOR BREACH OF WARRANTY, AND THE SUPPLIER SHALL NOT BE RESPONSIBLE FOR ANY INCIDENTAL, SPECIAL OR CONSEQUENTIAL DAMAGES, OR LOST PROFITS OR THE COST OF REPAIRING OR REPLACING OTHER PROPERTY WHICH IS DAMAGED IF THE PRODUCT DOES NOT WORK PROPERLY.

4. Australian Consumer Law

This paragraph 4 applies if you are a 'Consumer' (as defined in section 3 of the Australian Consumer Law (**ACL**)) and the Product or services supplied to you falls within the goods or services which, for the purposes of the ACL, are of a kind ordinarily acquired for personal, domestic or household use or consumption.

The Products and services provided by the Supplier come with guarantees that cannot be excluded under the ACL, and noting in this Warranty Statement should be interpreted as attempting to exclude, restrict or modify such guarantees or your rights under the ACL. For major failures with any services, you are entitled:

- (c) to cancel your service contract with us; and
- (d) to a refund for the unused portion, or to compensation for its reduced value.

You are also entitled to choose a refund or replacement for major failures with Products. If a failure with the Product or a service does not amount to a major failure, you are entitled to have the failure rectified in a reasonable time. If this is not done you are entitled to a refund for the Products and to cancel the contract for the service and obtain a refund of any unused portion. You are also entitled to be compensated for any other reasonably foreseeable loss or damage from a failure in the Products or service*.

5. Warranty table

*the applicable period commences on the date of delivery of the Product.

PRODUCT GROUP	PRODUCT SERIES CODES	WARRANTY PERIOD (YEARS)*	LABOUR SUPPORT (YEARS)
General Tapware, Spouts & Outlets- Chrome Plated	WLC	10	2



1300 369 273
info@enware.com.au
enware.com.au