



LEEC body storage cabinets

SPACE SAVING

ENERGY EFFICIENT

IMPROVED STAFF SAFETY



installing **confidence**

www.enware.com.au

refrigerated end loading body storage cabinets

A PURPOSE BUILT RANGE OF REFRIGERATED BODY STORAGE CABINETS, DESIGNED SPECIFICALLY FOR EASE OF USE WHICH OFFER MANY UNIQUE FEATURES TOGETHER WITH A HIGH QUALITY CONSTRUCTION, RELIABILITY AND LONG LIFE.

The standard unit features an open racking system which not only ensures optimum cooling but provides unrestricted access within the cabinet. Available in a wide range of finishes and sizes the cabinets can be combined with high quality handling equipment.

Manufactured to the highest standard with a proven long service life. Every cabinet is built to order and manufactured to each customer's exacting specification.

A wide choice of finishes, trays and roller combinations are available. Cabinet configurations and combinations are also made to suit each unique application. Other options available include fridge or freezer function and isolation of individual cabinets and/or internal walls.

FEATURES

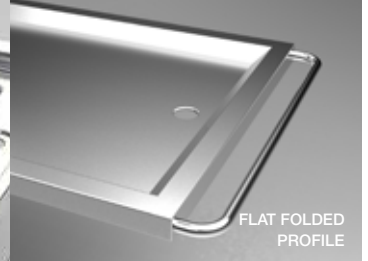
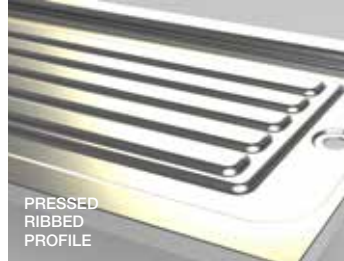
- Single or multiple bays
- Unique interlocking design ensures accurate positioning
- Designed for high level infection control
- Wall and door panels reinforced with 12mm ply
- Insulated, reinforced stainless steel floor
- Fully rebated doors with ply reinforcement
- Up to 2, 3, 4 or 5 tier storage per bay
- All doors lockable
- Wider doors for larger bodies and/or coffins
- Electronic controls, digital temperature readout
- Internal lighting and alarms, as required
- 80mm high performance insulation
- Conveniently delivered, installed and commissioned by Enware technician installers



BODY STORAGE TRAYS

- 100% stainless steel and pressed construction
- Rigid lightweight, crevice free design – up to 500kgs
- Full width carrying handles both ends / deep skids to avoid finger trapping
- Width options:

| | |
|------------|-------|
| Standard | 560mm |
| Semi-Obese | 660mm |
| Obese | 750mm |
| Bariatric | 900mm |
- Design profile options: Pressed flat & pressed ribbed
560, 660 & 750mm widths
Flat folded - all widths
Custom/special trays can be designed and manufactured to suit your needs



RACKING DESIGN SYSTEM

Constructed using LEEC developed modular open racking system and installed by Enware professional technicians. Manufactured using Grade 304 stainless steel as standard (grade 316 optional) and designed to enable full adjustment and flexibility for complete access and cleaning. An adaptable system for use with body trays, coffins or a combination of both. We can cater for up to 5 tiers of storage dependant on site conditions.

OPTIONS Stub rollers only (for trays), full width rollers only (For coffins and trays), or a combination of both.



CABINET FINISHES

White polyester finish is supplied as standard (RAL2003 Signal White) with Stainless steel Grade 304 or Grade 316 available if high chemical resistance required.

Stainless steel finish options can include: doors only, half door only, full complete front of cabinet, complete external surfaces and/or complete internal surfaces.



REFRIGERATION

Each refrigeration system is designed to suit an individual application. Simple and fully automated energy efficient units can be provided as either a Roof Mount Drop In, Wall Mount Slide In or Split / Remote system*.

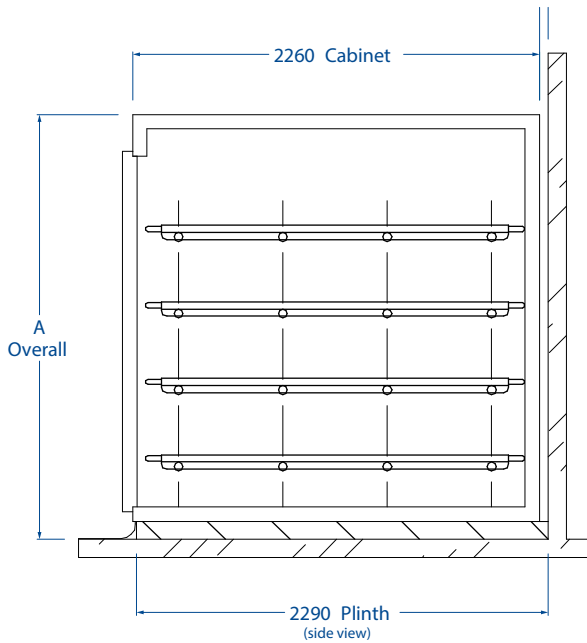
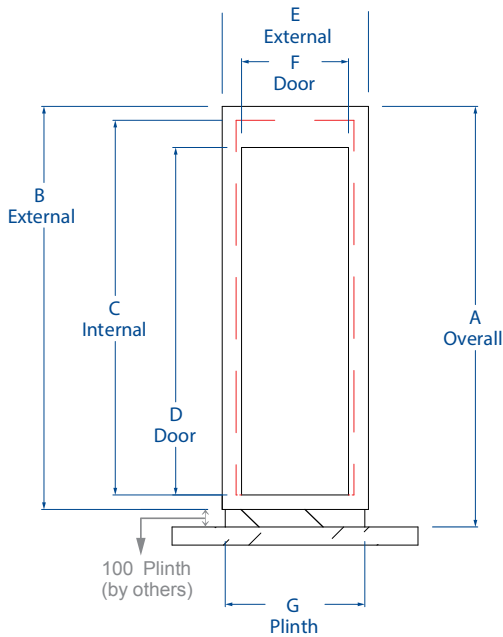
Available options include: digital controller, local audible alarms, internal linked lighting, automatic or manual defrost, 100mm insulation and BMS facility connectivity

Temperature ranges from +4°C down to -25°C



* Condenser installed separately outside the cabinet

one bay



REDUCED HEIGHT OPTIONS

| | A OVERALL | B EXTERNAL | C INTERNAL | D DOOR |
|---------|--------------|----------------|------------|---------------|
| HEIGHT* | 2060 | 1960 | 1800 | 1700 |
| | 560 STANDARD | 660 SEMI OBESE | 750 OBESE | 900 BARIATRIC |
| TIERS | 2 | NR | NR | ✓ |
| | 3 | ✓ | ✓ | ✓ |
| | 4 | ✓ | ✓ | NR |
| | 5 | NA | NA | NA |

FUNERAL DIRECTOR OPTIONS

| | A OVERALL | B EXTERNAL | C INTERNAL | D DOOR |
|---------|--------------|----------------|------------|---------------|
| HEIGHT* | 2360 | 2260 | 2100 | 1950 |
| | 560 STANDARD | 660 SEMI OBESE | 750 OBESE | 900 BARIATRIC |
| TIERS | 2 | NR | NR | ✓ |
| | 3 | ✓ | ✓ | ✓ |
| | 4 | ✓ | ✓ | NA |
| | 5 | ✓ | ✓ | NA |

HOSPITAL HEIGHT OPTIONS

| | A OVERALL | B EXTERNAL | C INTERNAL | D DOOR |
|---------|--------------|----------------|------------|---------------|
| HEIGHT* | 2660 | 2560 | 2400 | 2050 |
| | 560 STANDARD | 660 SEMI OBESE | 750 OBESE | 900 BARIATRIC |
| TIERS | 2 | NR | NR | ✓ |
| | 3 | ✓ | ✓ | ✓ |
| | 4 | ✓ | ✓ | NA |
| | 5 | ✓ | ✓ | NA |

CABINET WIDTH OPTIONS*

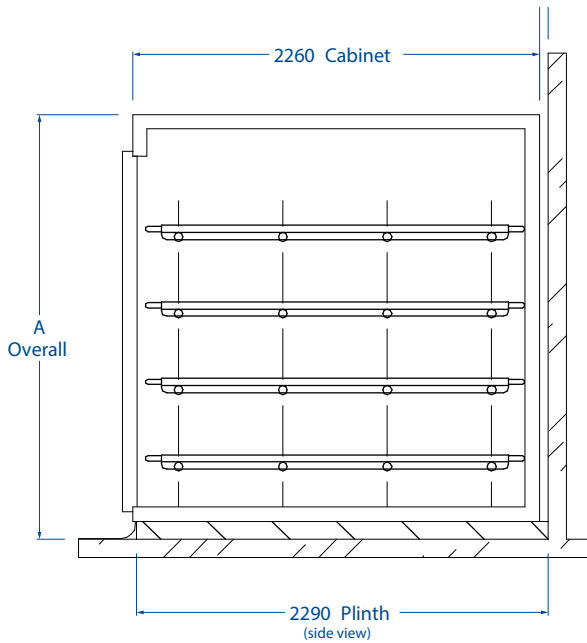
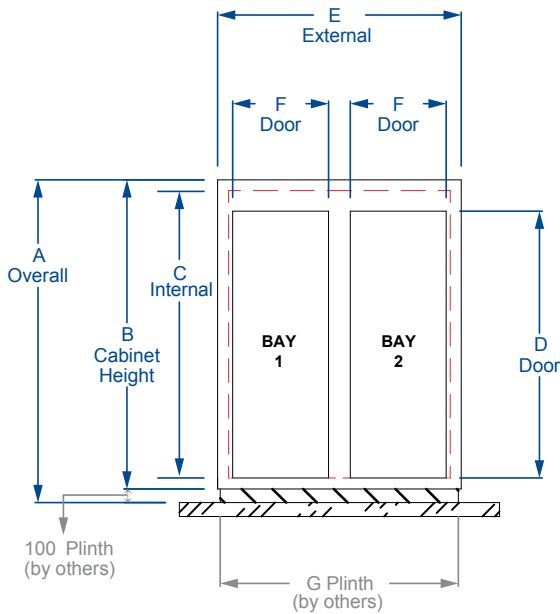
| TRAY WIDTH mm | E EXTERNAL | F DOOR | G PLINTH |
|---------------|------------|--------|----------|
| 560 | 820 | 600 | 780 |
| 660 | 920 | 700 | 880 |
| 750 | 1020 | 800 | 980 |
| 900 | 1170 | 950 | 1130 |

NR - Not Recommended

NA - Not Available

*Cabinet only, cooling plant additional

two bay



NR - Not Recommended
 NA - Not Available
 *Cabinet only, cooling plant additional

REDUCED HEIGHT OPTIONS

| | A OVERALL | B EXTERNAL | C INTERNAL | D DOOR |
|---------|--------------|----------------|------------|---------------|
| HEIGHT* | 2060 | 1960 | 1800 | 1700 |
| | 560 STANDARD | 660 SEMI OBESE | 750 OBESE | 900 BARIATRIC |
| TIERS | 2 | NR | NR | ✓ |
| | 3 | ✓ | ✓ | ✓ |
| | 4 | ✓ | ✓ | NR |
| | 5 | NA | NA | NA |

FUNERAL DIRECTOR OPTIONS

| | A OVERALL | B EXTERNAL | C INTERNAL | D DOOR |
|---------|--------------|----------------|------------|---------------|
| HEIGHT* | 2360 | 2260 | 2100 | 1950 |
| | 560 STANDARD | 660 SEMI OBESE | 750 OBESE | 900 BARIATRIC |
| TIERS | 2 | NR | NR | ✓ |
| | 3 | ✓ | ✓ | ✓ |
| | 4 | ✓ | ✓ | NA |
| | 5 | ✓ | ✓ | NA |

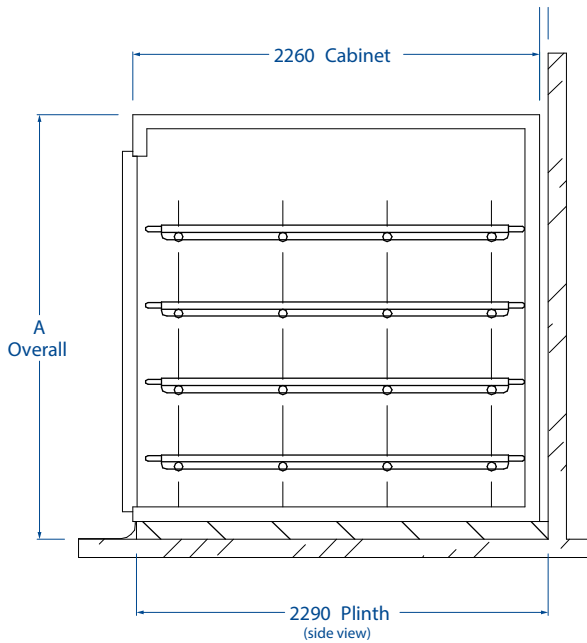
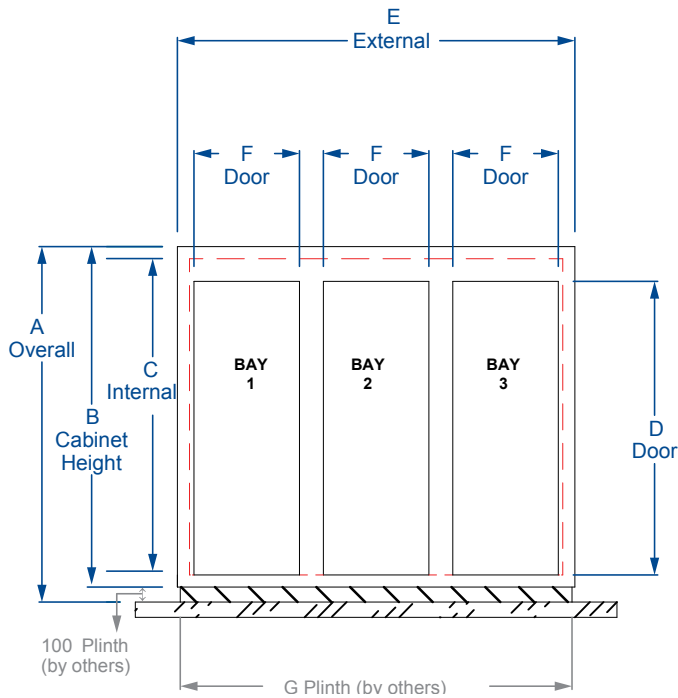
HOSPITAL HEIGHT OPTIONS

| | A OVERALL | B EXTERNAL | C INTERNAL | D DOOR |
|---------|--------------|----------------|------------|---------------|
| HEIGHT* | 2660 | 2560 | 2400 | 2050 |
| | 560 STANDARD | 660 SEMI OBESE | 750 OBESE | 900 BARIATRIC |
| TIERS | 2 | NR | NR | ✓ |
| | 3 | ✓ | ✓ | ✓ |
| | 4 | ✓ | ✓ | NA |
| | 5 | ✓ | ✓ | NA |

CABINET WIDTH OPTIONS*

| TRAY WIDTH mm | | E EXTERNAL | F DOOR | | G PLINTH |
|---------------|-------|------------|--------|-------|----------|
| BAY 1 | BAY 2 | | BAY 1 | BAY 2 | |
| 660 | 660 | 1780 | 700 | 700 | 1740 |
| 660 | 750 | 1880 | 700 | 800 | 1840 |
| 660 | 900 | 2030 | 700 | 950 | 1990 |

three bay



REDUCED HEIGHT OPTIONS

| | A OVERALL | B EXTERNAL | C INTERNAL | D DOOR |
|---------|--------------|----------------|------------|---------------|
| HEIGHT* | 2060 | 1960 | 1800 | 1700 |
| | 560 STANDARD | 660 SEMI OBESE | 750 OBESE | 900 BARIATRIC |
| TIERS | 2 | NR | NR | ✓ |
| | 3 | ✓ | ✓ | ✓ |
| | 4 | ✓ | ✓ | NR |
| | 5 | NA | NA | NA |

FUNERAL DIRECTOR OPTIONS

| | A OVERALL | B EXTERNAL | C INTERNAL | D DOOR |
|---------|--------------|----------------|------------|---------------|
| HEIGHT* | 2360 | 2260 | 2100 | 1950 |
| | 560 STANDARD | 660 SEMI OBESE | 750 OBESE | 900 BARIATRIC |
| TIERS | 2 | NR | NR | ✓ |
| | 3 | ✓ | ✓ | ✓ |
| | 4 | ✓ | ✓ | NA |
| | 5 | ✓ | ✓ | NA |

HOSPITAL HEIGHT OPTIONS

| | A OVERALL | B EXTERNAL | C INTERNAL | D DOOR |
|---------|--------------|----------------|------------|---------------|
| HEIGHT* | 2660 | 2560 | 2400 | 2050 |
| | 560 STANDARD | 660 SEMI OBESE | 750 OBESE | 900 BARIATRIC |
| TIERS | 2 | NR | NR | ✓ |
| | 3 | ✓ | ✓ | ✓ |
| | 4 | ✓ | ✓ | NA |
| | 5 | ✓ | ✓ | NA |

CABINET WIDTH OPTIONS*

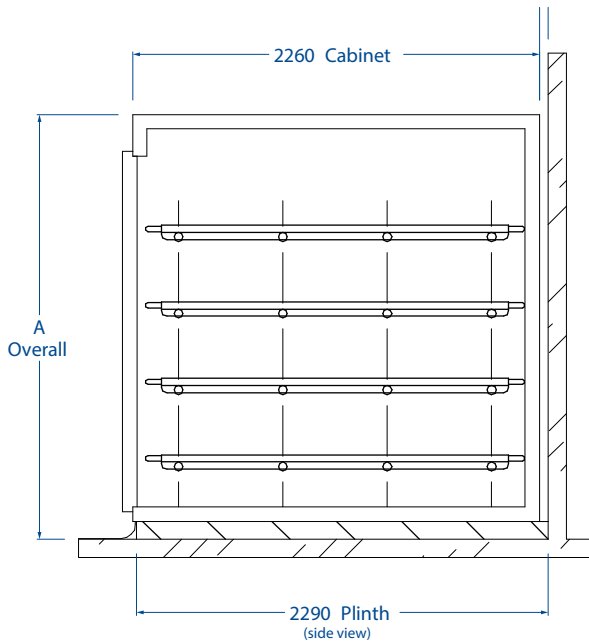
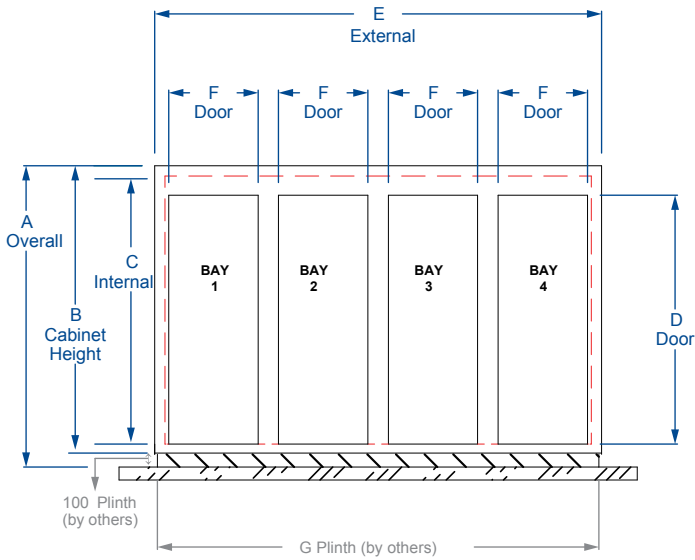
| TRAY WIDTH mm | | | E EXTERNAL | F DOOR | | | G PLINTH |
|---------------|-------|-------|------------|--------|-------|-------|----------|
| BAY 1 | BAY 2 | BAY 3 | | BAY 1 | BAY 2 | BAY 3 | |
| 660 | 660 | 660 | 2640 | 700 | 700 | 700 | 2600 |
| 660 | 660 | 750 | 2740 | 700 | 700 | 800 | 2700 |
| 660 | 690 | 900 | 2890 | 700 | 700 | 950 | 2850 |

NR - Not Recommended

NA - Not Available

*Cabinet only, cooling plant additional

four bay



REDUCED HEIGHT OPTIONS

| | | A OVERALL | B EXTERNAL | C INTERNAL | D DOOR |
|---------|---|--------------|----------------|------------|---------------|
| HEIGHT* | | 2060 | 1960 | 1800 | 1700 |
| | | 560 STANDARD | 660 SEMI OBESE | 750 OBESE | 900 BARIATRIC |
| TIERS | 2 | NR | NR | ✓ | ✓ |
| | 3 | ✓ | ✓ | ✓ | ✓ |
| | 4 | ✓ | ✓ | NR | NA |
| | 5 | NA | NA | NA | NA |

FUNERAL DIRECTOR OPTIONS

| | | A OVERALL | B EXTERNAL | C INTERNAL | D DOOR |
|---------|---|--------------|----------------|------------|---------------|
| HEIGHT* | | 2360 | 2260 | 2100 | 1950 |
| | | 560 STANDARD | 660 SEMI OBESE | 750 OBESE | 900 BARIATRIC |
| TIERS | 2 | NR | NR | ✓ | ✓ |
| | 3 | ✓ | ✓ | ✓ | ✓ |
| | 4 | ✓ | ✓ | ✓ | NA |
| | 5 | ✓ | ✓ | NA | NA |

HOSPITAL HEIGHT OPTIONS

| | | A OVERALL | B EXTERNAL | C INTERNAL | D DOOR |
|---------|---|--------------|----------------|------------|---------------|
| HEIGHT* | | 2660 | 2560 | 2400 | 2050 |
| | | 560 STANDARD | 660 SEMI OBESE | 750 OBESE | 900 BARIATRIC |
| TIERS | 2 | NR | NR | ✓ | ✓ |
| | 3 | ✓ | ✓ | ✓ | ✓ |
| | 4 | ✓ | ✓ | ✓ | NA |
| | 5 | ✓ | ✓ | ✓ | NA |

CABINET WIDTH OPTIONS*

| TRAY WIDTH mm | | | | E EXTERNAL | F DOOR | | | | G PLINTH |
|---------------|-------|-------|-------|------------|--------|-------|-------|-------|----------|
| BAY 1 | BAY 2 | BAY 3 | BAY 4 | | BAY 1 | BAY 2 | BAY 3 | BAY 4 | |
| 660 | 660 | 660 | 660 | 3500 | 700 | 700 | 700 | 700 | 780 |
| 660 | 660 | 660 | 750 | 3600 | 700 | 700 | 700 | 800 | 880 |
| 660 | 690 | 690 | 900 | 3750 | 700 | 700 | 700 | 950 | 980 |

NR - Not Recommended

NA - Not Available

*Cabinet only, cooling plant additional

ALSO AVAILABLE FROM ENWARE

DESIGN

With years of experience in the design and construction of mortuaries we can offer lay-out and equipment solutions to green field sites. As well we can overlay our own mortuary equipment onto architectural drawings supplied, making best use of available space. Our bespoke equipment is designed to fit specific sites and requirements ensuring the Mortuary delivers best practice performance and efficiency.



TROLLEYS

With an increased awareness of labour efficiency and manual handling risks, LEEC have specifically designed all trolleys to cater for single operator transportation. With substantial construction, LEEC trolleys are designed to give many years fault free service to avoid any down time which is critical when running a busy mortuary.



DISSECTING

LEEC dissecting benches are both easy to use and maintain, compact in design they offer remarkable value. Manufactured to the highest standard with proven long service life. Every dissecting bench is built to order and manufactured to exacting customer specification.



AUTOPSY

Stainless steel autopsy stations incorporate LEEC's own tray transfer system. Easily adaptable with many flexible features these unique, patented, bespoke designs bring together innovative designs for the mortuary. All systems remove manual handling issues while maximising access, for cleaning and maintenance.



LIFT ASSIST

Lift Assist is a simple, cost effective, manual handling solution ideal for the small hospital, mortuary or funeral director. Lift Assist is a unique method to transfer bodies without the use of electrically operated high level equipment.



FOETAL STORAGE

With a choice of three models, the LEEC Foetal Storage options offer a separated specific storage solution.



installing **confidence**

OUR OFFICES

NEW SOUTH WALES | VICTORIA | SOUTH AUSTRALIA | WESTERN AUSTRALIA
NORTHERN TERRITORY | QUEENSLAND | ASIA | MIDDLE EAST

1300 369 273 | WWW.ENWARE.COM.AU | INFO@ENWARE.COM.AU