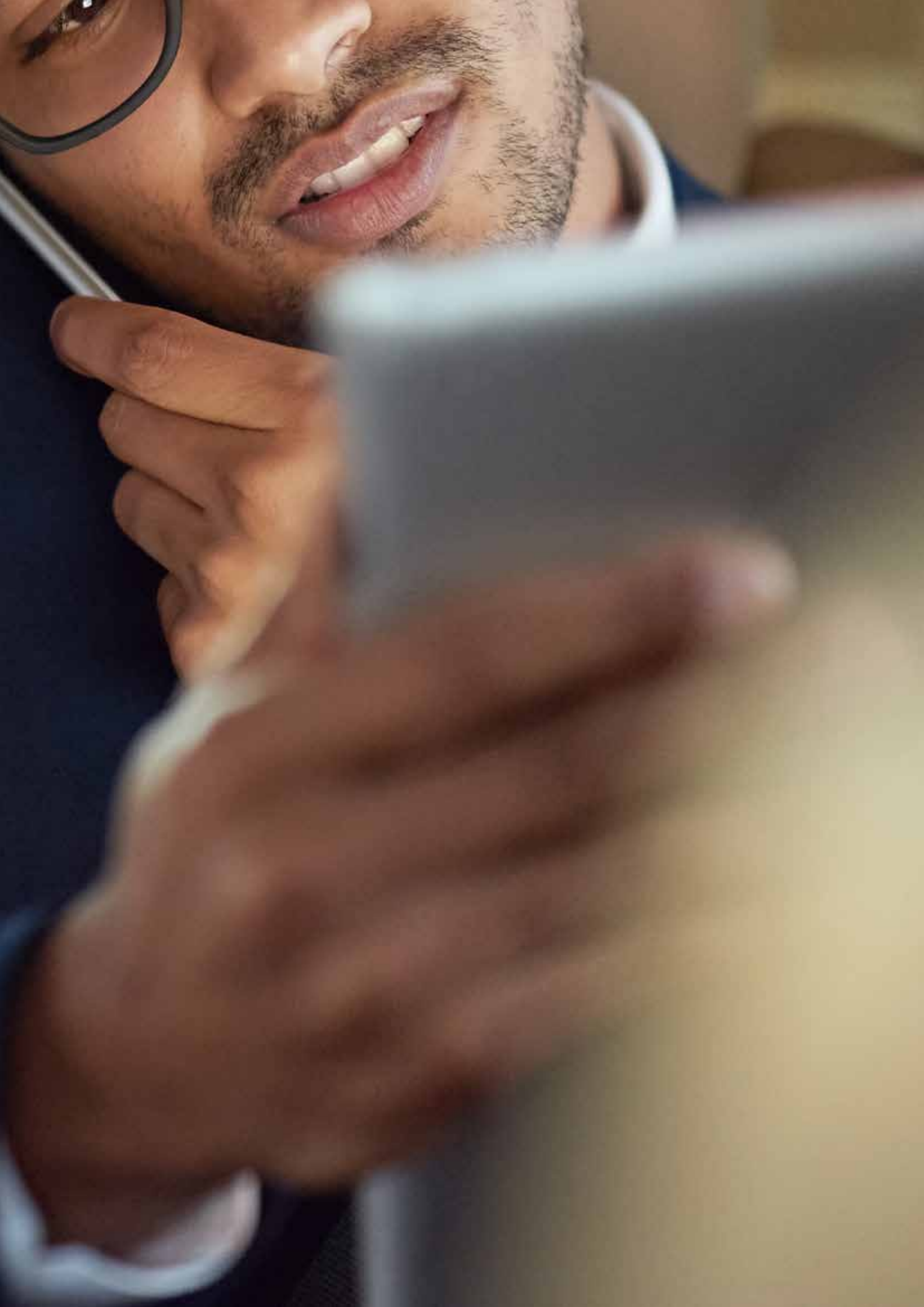




Smart Mobile Metering Solutions

WALK-BY OR DRIVE-BY READING
HYDRUS SMART METERS AND
IZAR SYSTEM COMPONENTS





Faster accurate information with Enware Smart Mobile Metering

Providing the ability to collect readings quickly and accurately; giving your customers the peace of mind that they can trust that their bills are accurate. Our solutions allows for an easy progress to Hosted Solutions enabling daily readings

Mobile meter reading enables consumption data to be collected over radio by simply walking or driving by. Data collected can then be downloaded and analysed in the office - saving time and money.

Walk-By meter reading provides a low cost and accurate method of collecting data. Drive-By meter reading can be achieved at speeds of 50kph saving even more time.

Both systems enable reading of meters in difficult to access locations.

KEY BENEFITS

Mobile walk-by or drive-by reading of meters

No need for appointments to be scheduled

Configuration of meters and system devices

Reduced reading costs, by decreasing the expenses associated with meter readers, transport and the possibility of human error

Gives near real-time accurate reading NOT estimated, clearly tracking the usage of all your customers

Simplifies the billing process and allowing the flexibility of scheduled billing cycles

Interactive map shows meter locations visually to simplify tour reading

Two cost-effective options to meet needs 0-200 or 201-2000 meter points per tour



**Designed for
the user...**
efficient, accurate
and reliable

Enware's smart mobile solution is designed with the user in mind, using a Windows® based laptop or tablet, our system can utilize existing hardware to reduce cost or a tablet can be purchased, preconfigured to get you reading your meters right away.

Efficient and accurate meter reading and data collection is ensured with the incorporation of modern mobile technology. This mobile system can be expanded into a fixed network solution at any time.

Enware's mobile solutions are upgradable enabling future progression to a hosted solutions for daily readings and analytic leads.

HYDRUS METER The sustainable use of water a precious resource is an economic and ecological necessity. With its robust design and long-term measuring stability, our HYDRUS Meter is reliable and highly accurate under the hardest environmental conditions. Its integrated communication and long-term cost-effective operation make HYDRUS a key component in a system environment.

 **Our multi-level meter readings are now a breeze, in most cases we can simply drive past our sites to collect data.** 

FEATURES

- Dashboard for quick access to tours and configurations
- Import and export meter information into Microsoft Excel
- Two cost-effective options to meet varying needs choose from 0-200 or 201-2000 meter points per tour
- System utilizes HYDRUS ultrasonic meters ranging from 15mm to 50mm
- Meeting all required Regulations NMI, AS3565, OIML, R49-1
- Built-in alarm detection for reverse flow, leakage, failure, low temperature and tamper

Izar@Mobile System Requirements

METERING TABLET WITH IZAR@MOBILE

Windows® 10 based tablet supplied pre-configured with IZAR@MOBILE to meet your metering needs



PRODUCT CODE: EHM6103

GENERAL REQUIREMENTS

Administration rights on a system with all security updates

Operating system: Windows® 7 Professional, Enterprise or Ultimate Windows® 8 / 8.1 Core, Pro or Enterprise Windows® 10 Pro or Enterprise

JAVA 1.8 (Java Runtime Environment) Update 60 or higher (32/64 Bit)

HARDWARE REQUIREMENTS

Display with minimum 1024x768

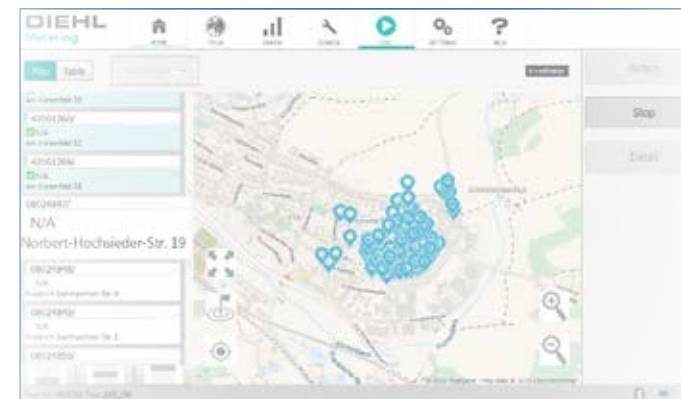
Dual-core processor with minimum 1,0 GHz

Min. 2 GB RAM

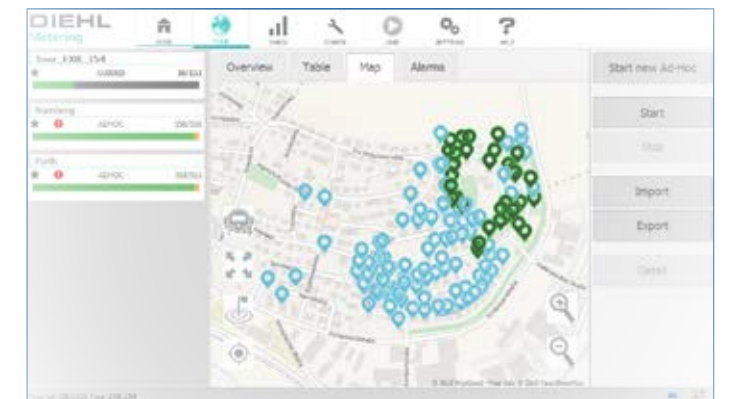
5 GB free disk space

Integrated GPS for full map support

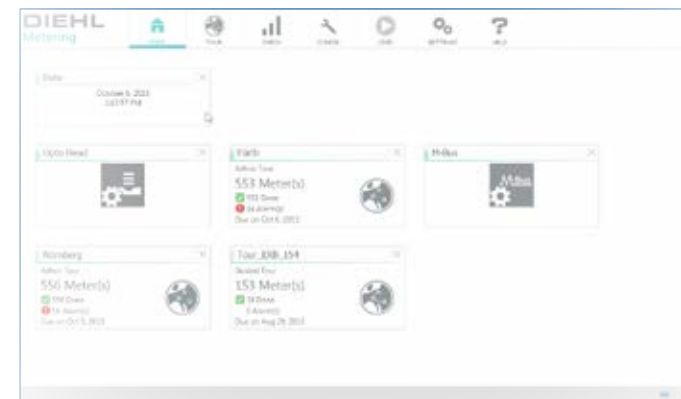
Bluetooth® interface



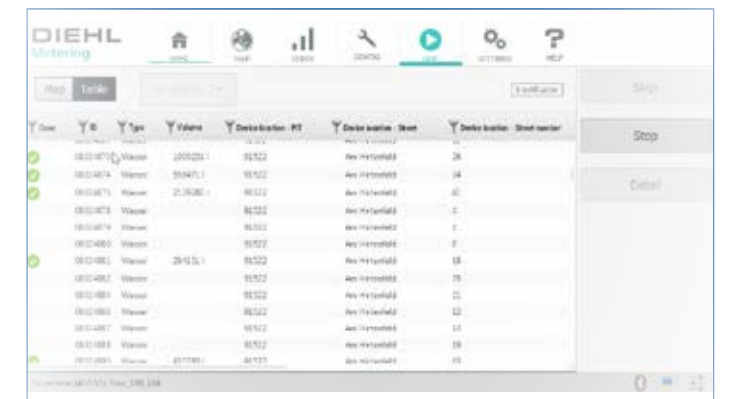
IZAR@MOBILE Interactive map, users can visualise meter locations to simplify tour reading & find missing meters



Live alarm and meter information give users the ability to see meter details in the field and act right away should an alarm be active, potentially assisting the end user with water savings.



IZAR@MOBILE Dashboard for quick access to tours and configurations when in the field.



With the touch of a button users can export tours to an xlsx file for use with 3rd party applications or to analyse meter readings in excel.

BLUETOOTH RADIO RECEIVER

Bluetooth Receiver used for mobile walk-by or drive-by meter reading. Data received is transmitted via Bluetooth to the Izar Pocket handheld or computer.

FEATURES

Wireless mobile meter reading with a radio range of up to 400 metres

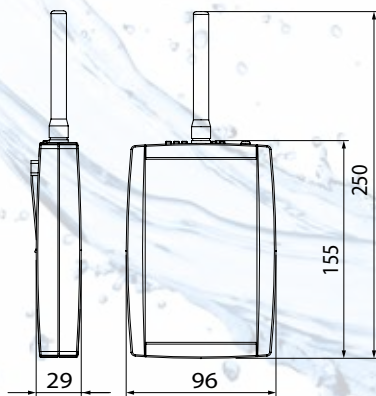
High speed Bluetooth data transmission to handhelds

Built-in, powerful accumulator for a uninterrupted operating time up to approximately 15 hours

4 hour rapid charge with supplied power supply unit

5 LED indicators:
power supply | device on | rapid charge valid/invalid radio | telegram received

Plastic housing with rubber sides and belt clip



TECHNICAL DATA

PRODUCT CODE: EHM003

| | |
|-------------------------|--------------------------------------|
| Frequency band | 434.475 MHz |
| Radio range maximum | 400m depending on ambient conditions |
| Bluetooth specification | 2.4 GHz version 1.1, class 2 |
| Bluetooth range | Up to 10 m |
| Protection class | IP 54 |

Ambient Conditions

| Operating temperature | Storage temperature | Humidity |
|-----------------------|---------------------|-----------|
| 0 - 60°C | -20 - 60°C | 10 - 70 % |

IZAR RADIO EXTERNAL PULSE MODULE

External radio module for meters with pulse transmitter or open collector interface. An electronic unit, which receives and saves meter information in the form of pulses and sends the meter number, meter reading & other operating information to either mobile or static data receiver every 8 seconds.

FEATURES

Simple installation

Transmission of meter data by radio to mobile or stationary receivers

For all types of meters with pulse transmitter or open collector interface

On-site-programming using IrDa interface

Storage and transmission of up to 3 due date values:

Radio on/off | Serial number
Meter index Medium | Due date

Powered by 2 x Lithium 3,6V Batteries with 15 year typical lifetime



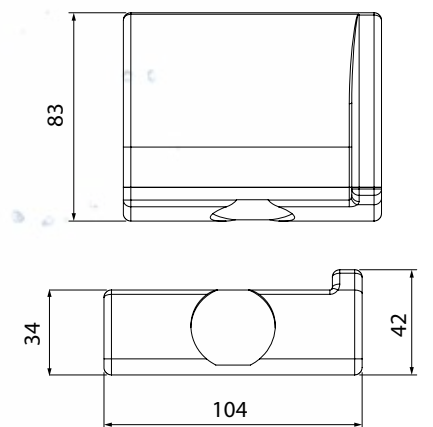
TECHNICAL DATA

PRODUCT CODE: EHM100

| | | |
|-----------------------|-------------------------------------|----------------------|
| Frequency band | 434.475 MHz | |
| Modulation | FSK | |
| Transmission | Power: 7 mW | Mode: Unidirectional |
| Radio Range Maximum | 400m depending on ambient condition | |
| Programming Interface | Optical IrDa | |
| Compliance Approval | EN 300220 R&TTE | EN 301489 R&TTE |
| | EN 60950 Safety & Health | EN 61 000 EMC |
| Protection class | IP 68 | |

Ambient Conditions

| Operating temperature | Storage temperature | Humidity |
|-----------------------|---------------------|-----------|
| -15°C - 55°C | -15°C - 55°C | 1 - 100 % |



HYDRUS ULTRASONIC COLD WATER METER

A Static ultrasonic water meter for accurate measuring and recording for cold water applications. Can be mounted in any position and is suitable for outdoor installation.

FEATURES

Open metering telegram

Long-term stability under difficult conditions

Leak detection

Higher performance than class 2 requirements

No calming sections required

No measurement of air

Design minimises sedimentation

No magnetic influence

Battery life up to 16 years

IP 68 permanent immersion

Displaying of error and alarm codes

No over-run performance

Data logger for consumption values

Strainer & check valves included

5 sizes available from DN20 through to DN50

TECHNICAL DATA

PRODUCT CODES: EHM5020 | EHM5025 | EHM5032 | EHM5040 | EHM5050

| | |
|--------------------|---|
| Temperature Range | 1-50°C |
| Temperature Safety | 1-90°C |
| Nominal Pressure | 1600 kPa |
| Power Supply | 2 x 3.6 VDC lithium batteries |
| Interfaces | Optical, radio 434 MHz, M-Bus, L-Bus, pulse |
| Approval | NMI R49, AS3565.1, AS3565.3 |
| Protection class | IP 68 |



Enware has extensive experience in the Metering Market. Partnering with German company Dielh; world leaders in the metering markets and pioneers in meter technology.

We have extensive experience in providing proven technologies to ensure ours and your clients receive 100% data integrity, lifetime accuracy and virtually no ongoing maintenance costs.

Enware has successfully delivered more than 50 mobile solutions in partnership with some of Australia's leading Resource Distribution Providers, such as Jemena, Weipa Town Authority and Energy Trade

Chosen for our proven expertise and credibility and the ability to offer advice on product suitability, installation, and compliance with relevant Australian Standards and guidelines.

Enware will provide solutions that deliver both customer and user satisfaction.





metering solutions