

Aquablend® eSQX™ Touch Free – On Demand Sensor Point of Use Thermostatic Wall Mixer

Aquablend® eSQX™ is Australia's first and most technically advanced touch-free thermostatic mixer solution. Designed to deliver touch-free pre-mixed warm water for enhanced infection control and cross-contamination prevention. The solution includes an infra-red sensor located above the outlet, designed for clinical hand to elbow washing for surgical scrub, and Type A and Type B wash stations.

ON DEMAND SENSOR ATM620 | ATM621

FEATURES

- Effective reduction of Legionella risk
- Low voltage 6V battery operated or 12V mains supply
- AHFG Type A and B health care basin compatibility
- Optional 12-hour flush cycle eliminates stagnation in water supply lines greatly reducing the risk of bacteria growth
- Smart, durable easy-clean chrome surfaces
- Smooth bore tubular spout designed to minimise bacteria growth
- Prevents airborne water droplets
- IP67 rated connections
- Sealed faceplate prevents egress of moisture into wall cavity and contaminated air flow from wall cavity into sterile areas
- Integral TMV adjustable temperature ensures ultimate user comfort
- Back and front of wall components offered may be ordered and supplied separately to meet construction needs
- Faceplate can be removed to access integral isolation/check valves, strainers and inspection ports
- Watermark Certified to AS4032.4
- Front of wall component WELS 6 Star 4.73 Lpm (4.0 Lpm nominal), 5 Star 6 Lpm (5.5 Lpm nominal), 3 Star 8 Lpm



WaterMark
AS 4032.4
WMKA25301



Product Codes: both **In Wall** and **Front of Wall** components must be ordered

IN WALL COMPONENT

ATM620 Battery Operated

ATM621 Mains Powered

FRONT OF WALL COMPONENT

230mm Spout

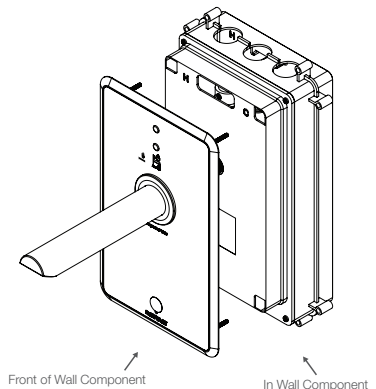
ATWB C2L3	8Lpm Laminar Flow	BATTERY
ATWB C2L5	6Lpm Laminar Flow	
ATWB C2L6	4.73Lpm Laminar Flow	MAINS
ATWM C2L3	8Lpm Laminar Flow	
ATWM C2L5	6Lpm Laminar Flow	
ATWM C2L6	4.73Lpm Laminar Flow	

200mm Spout

ATWB C1L3	8Lpm Laminar Flow	BATTERY
ATWB C1L5	6Lpm Laminar Flow	
ATWB C1L6	4.73Lpm Laminar Flow	MAINS
ATWM C1L3	8Lpm Laminar Flow	
ATWM C1L5	6Lpm Laminar Flow	
ATWM C1L6	4.73Lpm Laminar Flow	

Anti-Ligature Outlet

ATWM-660B	8Lpm Aerator	MAINS
------------------	--------------	-------



OPTIONS

- Auto Sense Touch Free Operation

Version: Nov 20

Call 1300 369 273
www.enware.com.au

Enware Australia Pty Limited
9 Endeavour Rd Caringbah NSW 2229 Australia
Ph: 02 8536 4000 info@enware.com.au

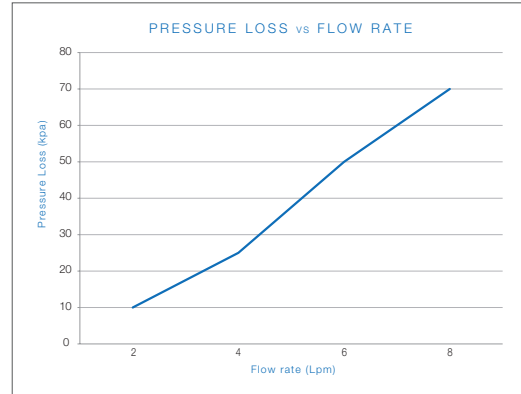


Aquablend® eSQX™ Touch Free – On Demand Sensor Point of Use Thermostatic Wall Mixer

ON DEMAND SENSOR ATM620 | ATM621

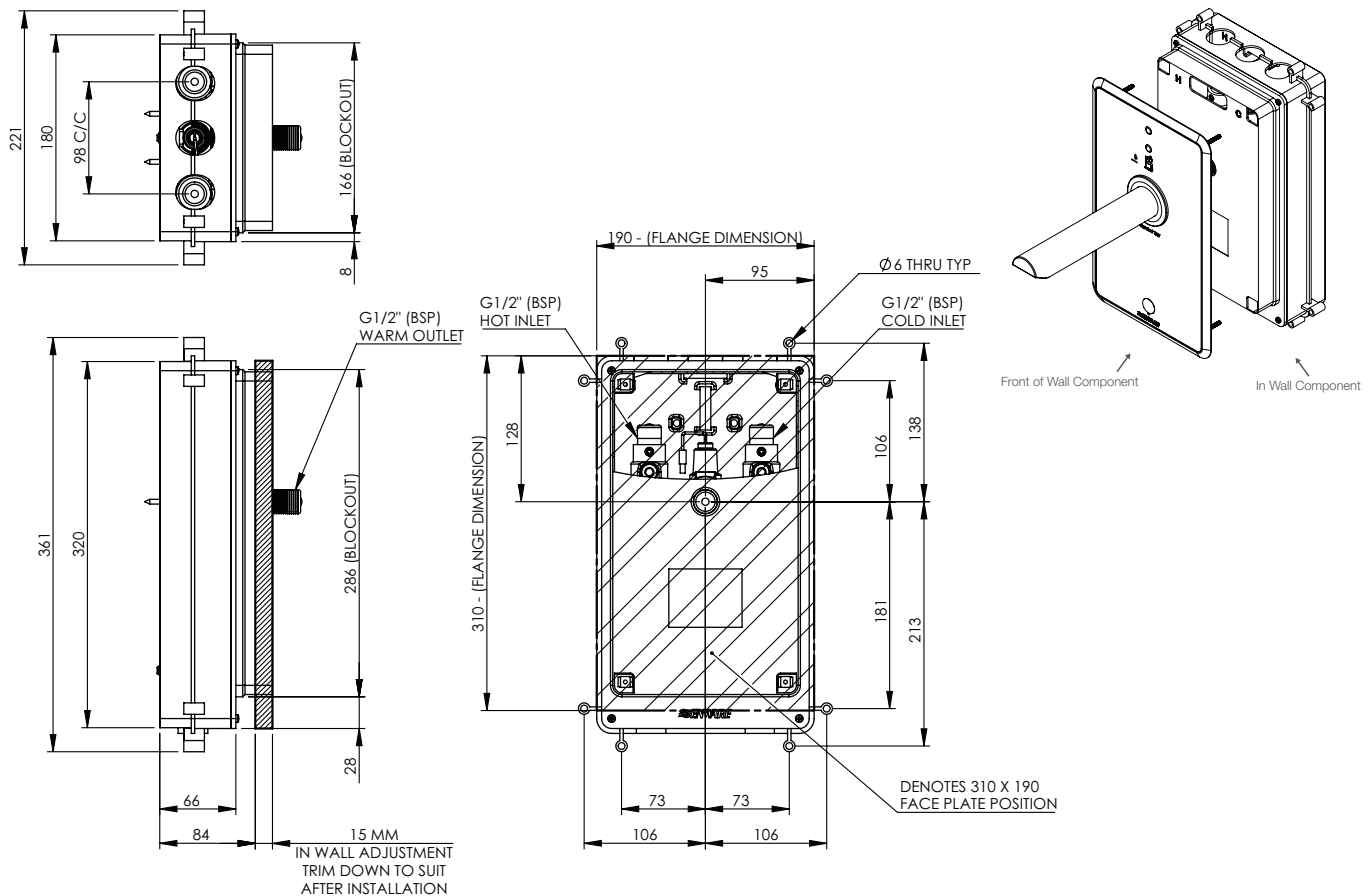
Technical Information

Dynamic Inlet Pressures* For optimum operation it is recommended that the hot and cold water supply pressures be balanced within +/- 10%	Min. 20kPa Max. 500kPa
Static Inlet Pressures For testing purposes/system commissioning	Max. 1000kPa
Hot Temperature Supply Range	55°C - 85°C
Cold Temperature Supply Range	5°C - 25°C
Minimum Temperature Differential Between hot supply and the outlet temperature	10°C
Thermostatic Temperature Range** Set during installation/commissioning	35 - 46°C (+/-2)
Sensor Range	20-100mm
Water Run Time (after hands removed from sensor range) 8, 15, 30, 45, 60, 90, 120 or 180 seconds settings available	15 secs (+/-1) default
Minimum Flow Rate	2L/min



In accordance with AS/NZS3500, Enware products are to be installed in accordance with the Plumbing Code of Australia (PCA) and AS/NZS3500. Installations not complying with PCA and AS/NZS3500 may void the product and performance warranty provisions.
NOTE: Enware Australia advises: 1. Due to ongoing Research and Development, specifications may change without notice. 2. Component specifications may change on some export models

IN-WALL COMPONENT



Version: Nov 20

Call 1300 369 273
www.enware.com.au

Enware Australia Pty Limited
9 Endeavour Rd Caringbah NSW 2229 Australia
Ph: 02 8536 4000 info@enware.com.au



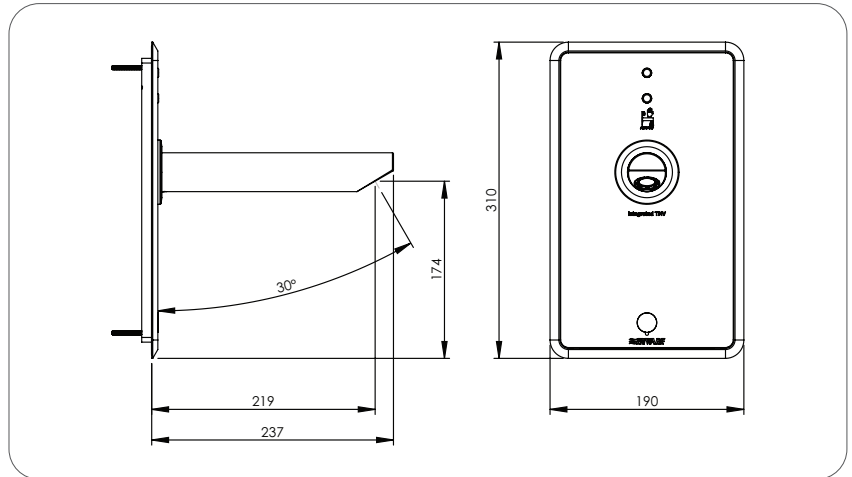
Aquablend® eSQX™ Touch Free – On Demand Sensor Point of Use Thermostatic Wall Mixer

ON DEMAND SENSOR ATM620 | ATM621

FRONT OF WALL COMPONENT - SPOUT OPTIONS

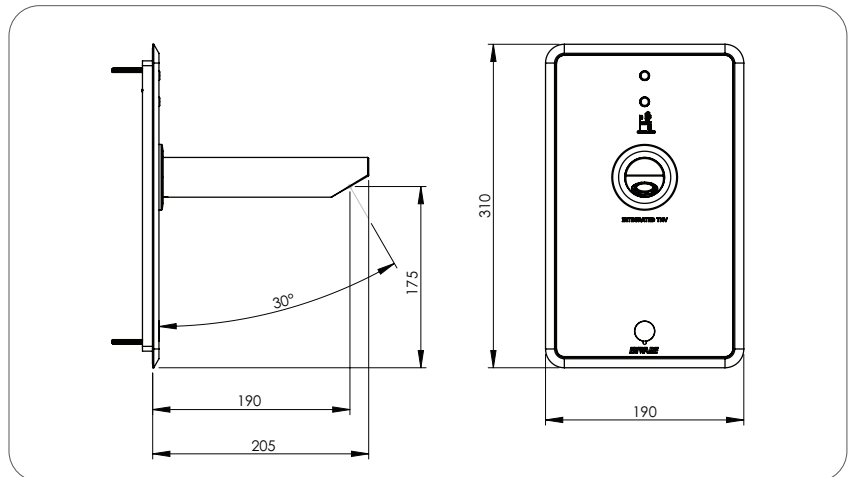
230mm Spout

ATWB C2L3	8Lpm Laminar Flow	BATTERY
ATWB C2L5	6Lpm Laminar Flow	
ATWB C2L6	4.73Lpm Laminar Flow	
ATWM C2L3	8Lpm Laminar Flow	MAINS
ATWM C2L5	6Lpm Laminar Flow	
ATWM C2L6	4.73Lpm Laminar Flow	



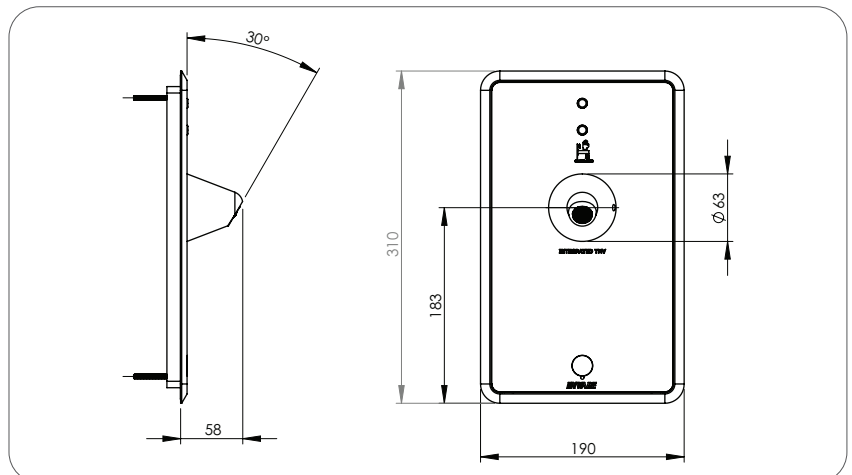
200mm Spout

ATWB C1L3	8Lpm Laminar Flow	BATTERY
ATWB C1L5	6Lpm Laminar Flow	
ATWB C1L6	4.73Lpm Laminar Flow	
ATWM C1L3	8Lpm Laminar Flow	MAINS
ATWM C1L5	6Lpm Laminar Flow	
ATWM C1L6	4.73Lpm Laminar Flow	



Anti-Ligature Outlet

ATWM-660B	8Lpm Aerator	MAINS
------------------	--------------	-------



Version: Nov 20

Call 1300 369 273
www.enware.com.au

Enware Australia Pty Limited
9 Endeavour Rd Caringbah NSW 2229 Australia
Ph: 02 8536 4000 info@enware.com.au

