

# The Custodian® Shower Rose - On Wall and Duct Mounted

## Providing Safety and Security With Enhanced Comfort and Care

The Custodian® Shower Rose is designed to provide the user superior showering comfort. The design is both Anti-Ligature and high security, available for on wall or duct mounting.

# CNSHRS-FF CNSHRS-SD

### FEATURES

- 4 Star WELS rating
- Extended tail for duct mounting
- Designed to exceed anti-ligature requirements of TS001-2013
- Anti-rotation pin
- High Security Torx grub screw (on wall mounted)



CNSHRS-FF

### Product Codes

<b>CNSHRS-FF</b>	On Wall Mounted Shower Rose
<b>CNSHRS-SD</b>	Extended Duct Mount Shower Rose

### Technical Information

Inlet Connection	1/2" BSP (15mm)
Operating Working Pressure *	50 - 500 kPa
Flow Rate	7 l/m
Maximum Water Temperature	70 °C

\* Enware products are to be installed in accordance with the Plumbing Code of Australia and AS/NZS3500.

Reference should also be made to the Australasian Health facility Guidelines (AHFG), ABCB and Local Government regulations when considering the choice of, and the installation of these products.

NOTE: Enware Australia advises: 1. Due to ongoing Research and Development, specifications may change without notice. 2. Component specifications may change on some export models.



CNSHRS-FF



CNSHRS-SD



Version: Jun 20

Call 1300 369 273  
www.enware.com.au

Enware Australia Pty Limited  
9 Endeavour Rd Caringbah NSW 2229 Australia  
Ph: 02 8536 4000 info@enware.com.au

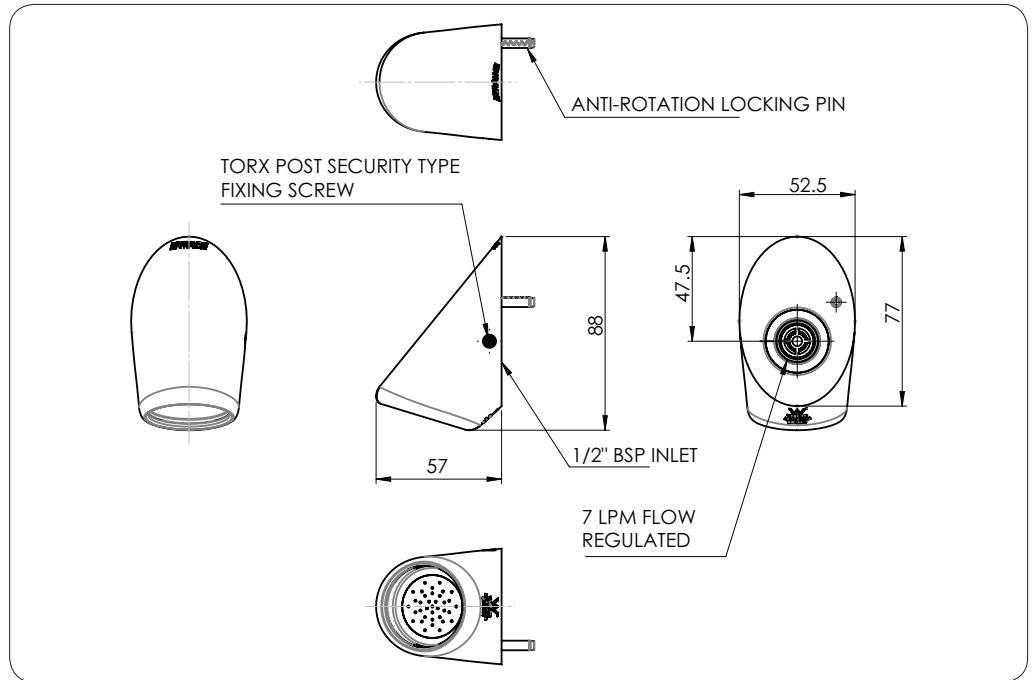


# The Custodian® Shower Rose - On Wall and Duct Mounted



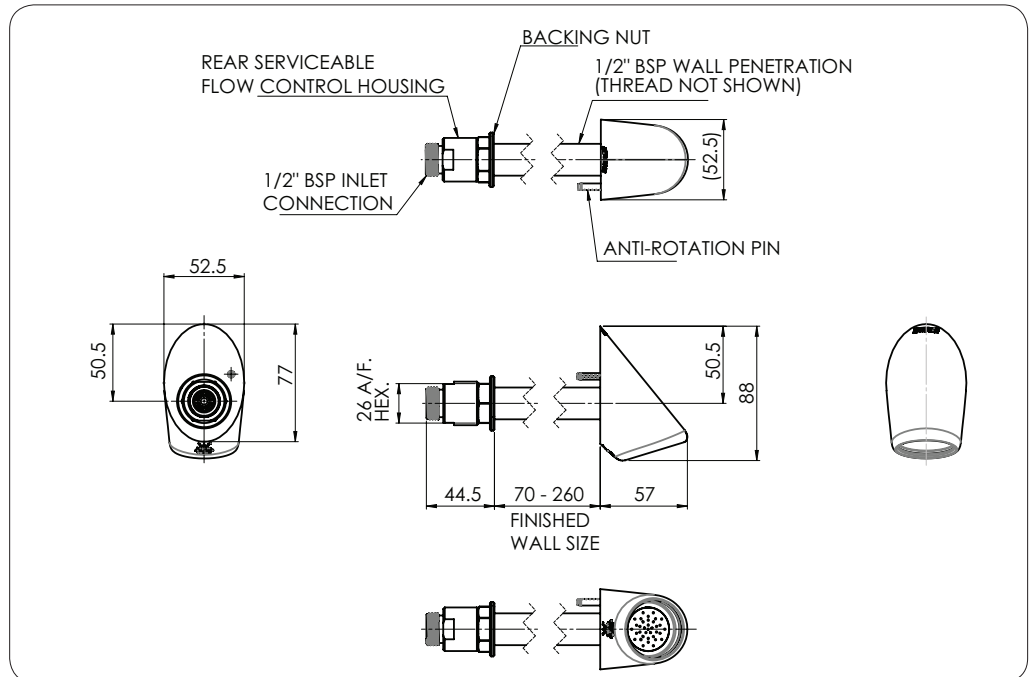
## CNSHRS-FF

On Wall Mounted Shower Rose



## CNSHRS-SD

Extended Duct Mount  
Shower Rose



Version: Jun 20

Call 1300 369 273  
www.enware.com.au

Enware Australia Pty Limited  
9 Endeavour Rd Caringbah NSW 2229 Australia  
Ph: 02 8536 4000 info@enware.com.au

