

The Custodian® Shower Rose - Duct Mounted

Installation and Maintenance Instructions

CNSHRS-SD



I00352_Jul 20

Call 1300 369 273
www.enware.com.au

Enware Australia Pty Limited
9 Endeavour Rd Caringbah NSW 2229 Australia
Ph: 02 8536 4000 info@enware.com.au



technical data

Inlet Connection	1/2" BSP (15mm) Male
Operating Working Pressure	50 - 500 kPa
Flow Rate	7 l/m
Maximum Water Temperature	70 °C

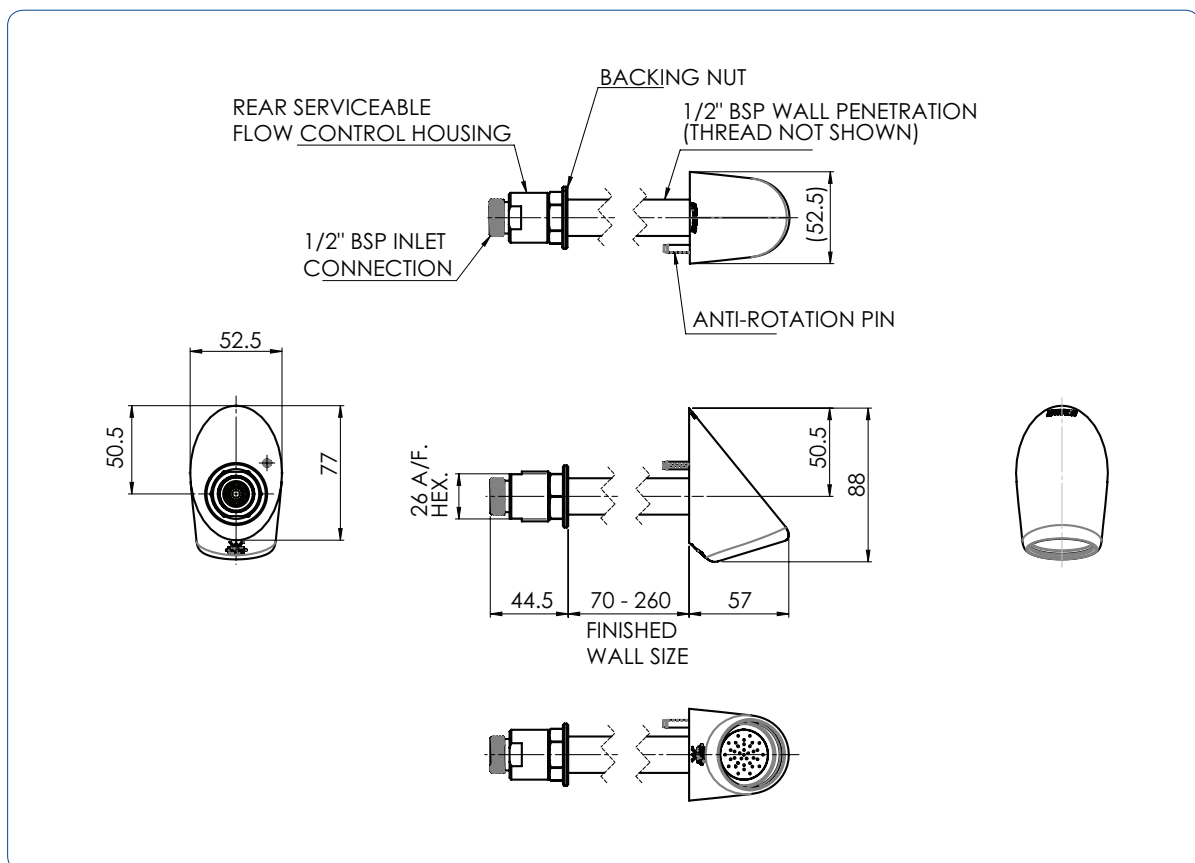
Enware products are to be installed in accordance with the Plumbing Code of Australia (PCA) and AS/NZS3500. Installations not complying with PCA and AS/NZS 3500 may void the product and performance warranty provisions.

Reference should also be made to the Australasian Health Facility Guidelines (AHFG), ABCB and Local Government regulations when considering the choice of, and the installation of these products.

NOTE: Enware Australia advises:

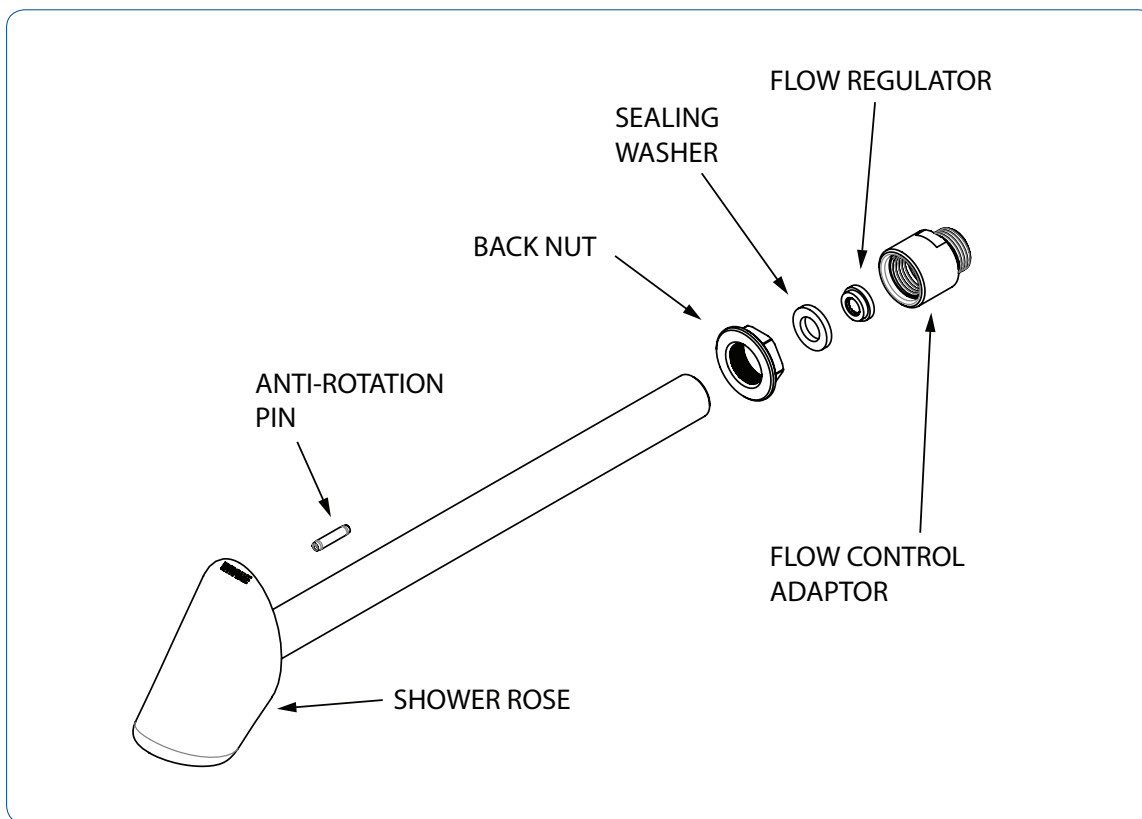
1. Due to ongoing research and development, specifications may change without notice.
2. Component specifications may change on some export models.

dimensions







All measurements are in millimetres.

components



spare parts

Name		Part Code
Back Nut 1/2" BSP		MIS517
Sealing Washer		894067
Flow Regulator		671445
Flow Control Adapter		880419

installation

1. Determine the position of shower rose to be installed.

Check that the wall thickness is between 70 - 260mm. SEE IMAGE 01 & 02

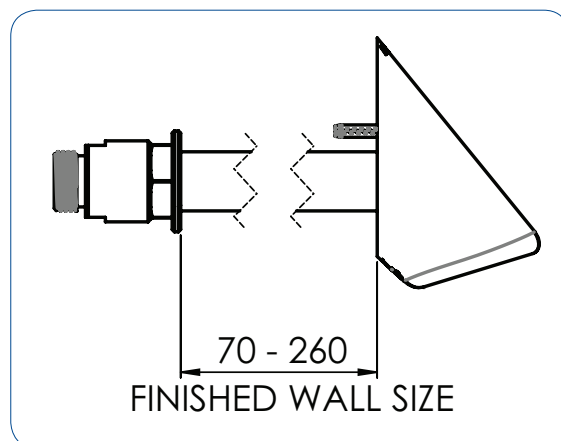


IMAGE 01

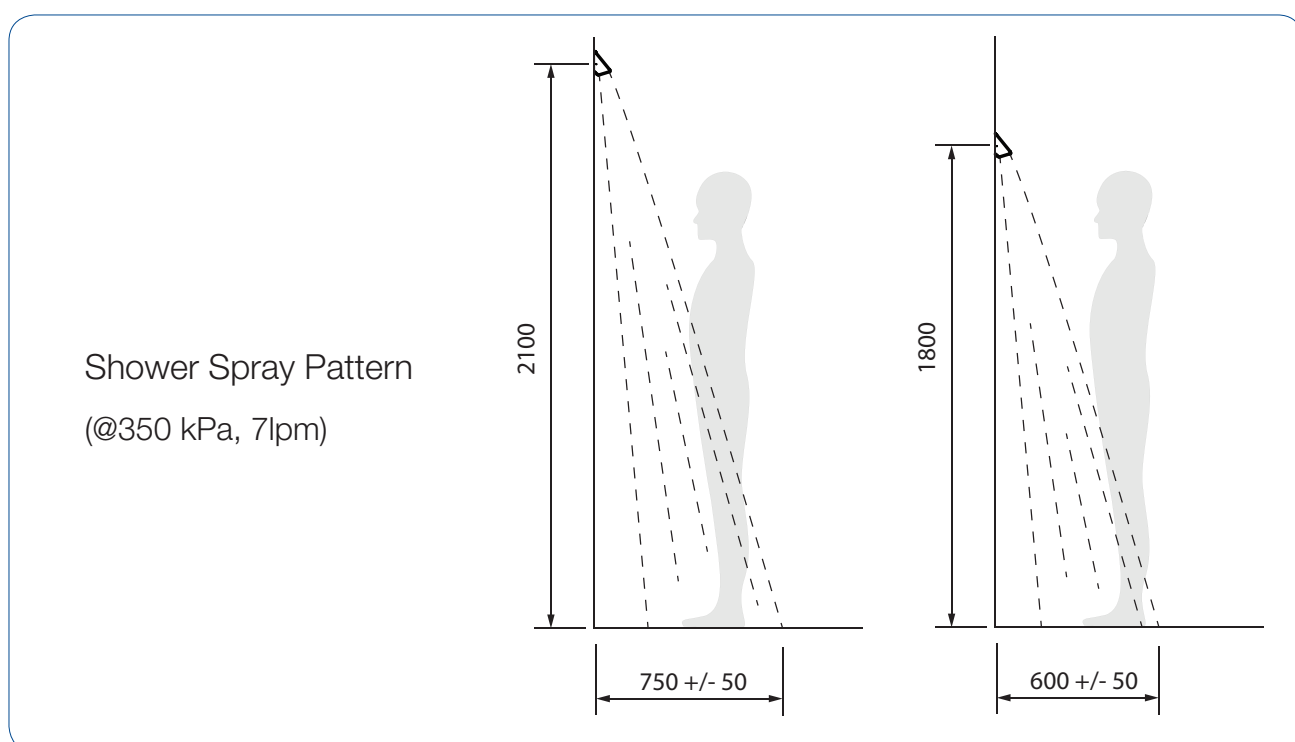


IMAGE 02

2. Drill a hole 22mm diameter for the all-thread.
3. Mark out location for anti-rotation pin, then drill a hole on the marked position using 5mm drill bit, 15mm deep.
Check position of anti-rotation pin before drilling as orientation may vary. SEE IMAGE 03

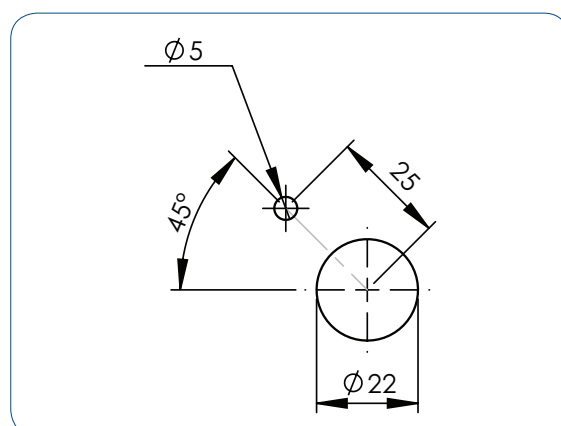


IMAGE 03

4. Unscrew the flow control adaptor and back nut from shower rose. SEE IMAGE 04
5. Fit shower rose onto wall. If there is excess thread protruding from the back of wall, cut off the excess thread to suit, leaving at least 40mm of thread protruding from the back wall. SEE IMAGE 05
6. Fit shower rose back onto wall. If required, apply anti-pick silicone or silicone sealant of appropriate grade, around the edges on the contact surface.

Fit the back nut onto the thread and tighten to fix the shower rose in place. Make sure the anti-rotation pin locates correctly and check that there are no gaps between the wall and the shower rose.

Fit flow control adaptor back onto the shower rose thread.

7. Connect water supply to inlet.
8. Turn on water supply and test operation. Refer to Troubleshooting for any problems.

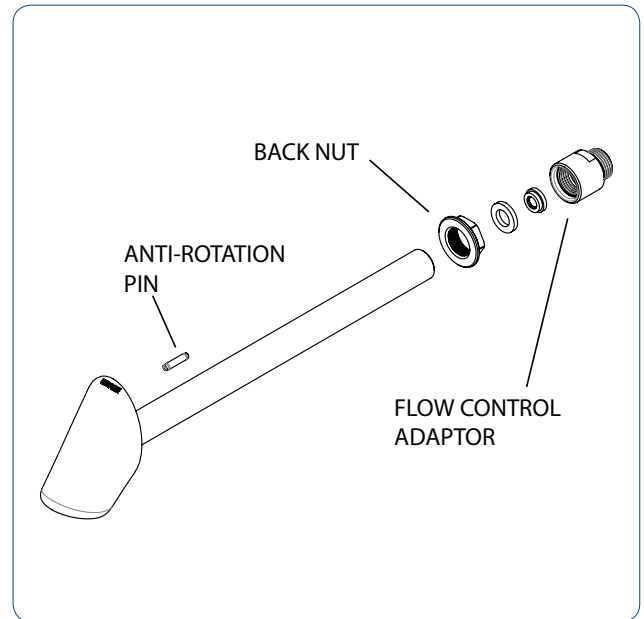


IMAGE 04

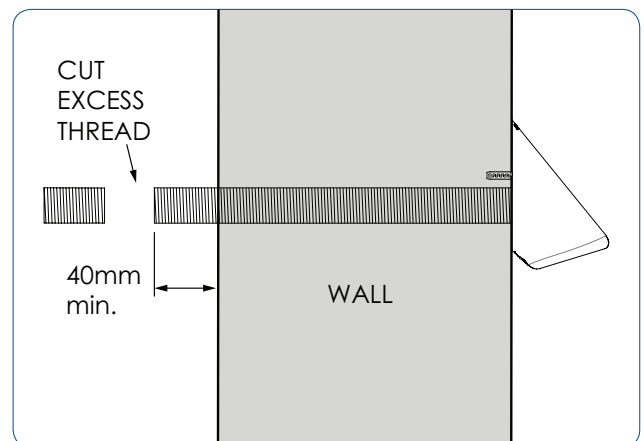


IMAGE 05

troubleshooting

FAULT / SYMPTOM	CAUSE	RECTIFICATION
1. Poor water flow	* Debris in line	* Dismantle shower rose and clean / reverse rinse shower rose. * Dismantle flow control and clean. Replace if necessary.
2. Leaking from thread connection	* Sealing washer missing * Sealing washer failure	Check and clean / replace sealing washer in flow control adaptor

cleaning

Enware products should be cleaned with a soft damp cloth using only mild liquid detergent or soap and water. Do not use cleaning agents containing a corrosive acid, scouring agent or solvent chemicals. Do not use cream cleaners, as they are abrasive. Use of unsuitable cleaning agents may damage the surface. Any damage caused in this way will not be covered by warranty.

Enware Australia Pty Limited (ACN 003 988 314) (“we” or “us”) warrants that this product (also referred to as “our goods”) will be free from all defects in materials and workmanship for 12 months from the date of purchase. Our liability under this warranty is limited at our option to the repair or replacement of the defective product or part, the cost of repair of the defective product or part or the supply of an equivalent product or part, in each case if we are satisfied the loss or damage was due to a defect in the materials or workmanship of the product or part. All products must be installed in accordance with the manufacturer’s instructions, the PCA, and AS/NZS3500 including any other applicable regulatory requirements.

making a claim

To make a claim under this warranty you must notify us in writing within 7 days of any alleged defect in the product coming to your attention and provide us with proof of your purchase of the product and completed the Online Product Service and Warranty Form available on website www.enware.com.au/product-service-enquiry.

All notifications and accompanying forms must be sent to us marked for the attention of the Enware Australia Pty Limited, 9 Endeavour Road, Caringbah NSW 2229. We can also be contacted by telephone (1300 369 273) or by email (info@enware.com.au).

Your costs in making a claim under this warranty, including all freight, collection and delivery costs, are to be borne and paid by you. We also reserve the right at our cost to inspect any alleged defect in the product wherever it is located or installed or on our premises.

exceptions

This warranty does not apply in respect of any damage or loss due to or arising from:

- a) Failure by you or any other person to follow any instructions for use (including instructions and directions relating to the handling, storage, installation, fitting, connection, adjustment or repair of the product) published or provided by us;
- b) Failure by you or any other person responsible for the fitting, installation or other work on the product to follow or conform to applicable laws, standards and codes (including the AS/NZ 3500 set of Standards, all applicable State and Territory Plumbing Codes, the Plumbing Code of Australia and directions and requirements of local and other statutory authorities); or
- c) Any act or circumstance beyond our control including faulty installation or connection, accident, abnormal use, acts of God, damage to buildings, other structures or infrastructure and loss or damage during product transit or transportation.

other conditions

Except as provided or referred to in this document, we accept no other or further liability for any damages or loss (including indirect, consequential or economic loss) and whether arising in contract, tort or otherwise. Any benefits available to you under this warranty are in addition to any non-excludable rights or remedies you may have under applicable legislation, including as a “consumer” under the Australian Consumer Law. To that extent you need to be aware that: Our goods come with guarantees that cannot be excluded under the Australian Consumer Law. You are entitled to a replacement or refund for a major failure and for compensation for any other reasonably foreseeable loss or damage. You are also entitled to have the goods repaired or replaced if the goods fail to be of acceptable quality and the failure does not amount to a major failure.



ADDRESS: 9 Endeavour Road, Caringbah NSW 2229 Australia

POSTAL ADDRESS: P.O. Box 2545, Taren Point NSW 2229 Australia

PHONE: 61 2 8536 4000 **FAX:** 61 2 8556 4066

1300 369 273 (AUS) WWW.ENWARE.COM.AU INFO@ENWARE.COM.AU

ABN 23 003 988 314