

Detention Extended Recess Adaptor

DET618

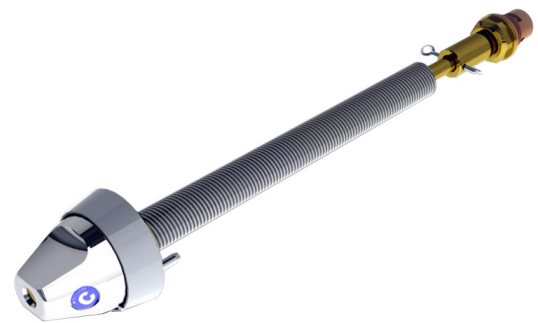
The water efficient Detention tapware series have been designed to provide a high level of security with the inclusion of vandal resistant features. The Detention range is constructed from dezincification resistant (DR) brass.

Incorporated is a smooth clean line chrome plated finish, which eliminates horizontal surfaces. The conical handle utilises a ceramic disc quarter turn valve. An anti rotation pin is incorporated to inhibit tampering. The fitting is secured within a duct increasing the anti vandal features of the range and eliminating the need to have general service work done in the room in which the user is located

Features:

- Quarter turn ceramic disc
- Anti-ligature design
- Identification buttons available in Cold, Warm or Hot to suit application
- Designed to suit wall thickness up to 210mm

Note: For duct access only. Not suitable for recess tap bodies in wall. (Refer to DET608 for recess bodies)



Product Codes

DET618 Detention Recess Adaptor Extended
Quarter Turn Ceramic Disc

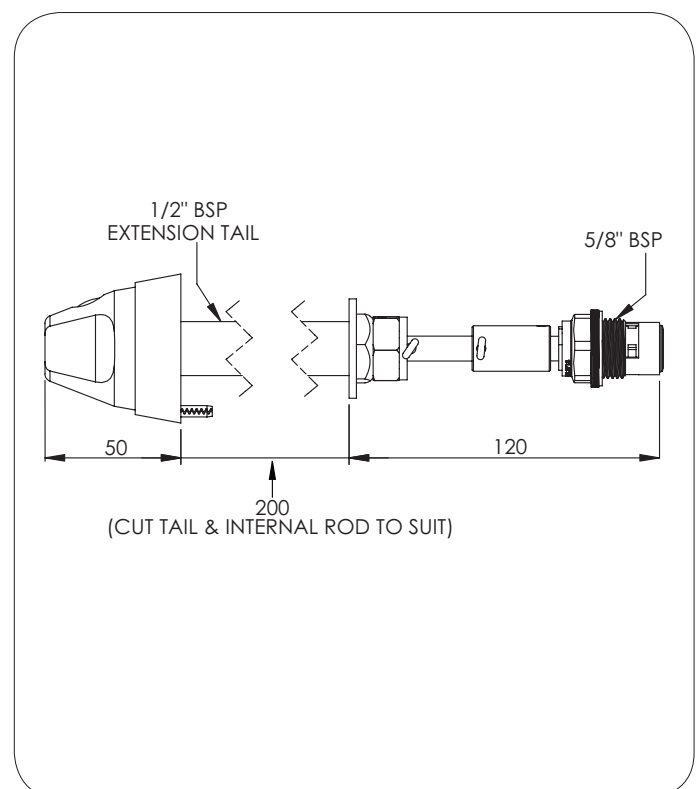
Technical Information

Working Pressure Range	50-800kPa
Ceramic Disc	500kPa Max (PCA)*
Maximum Working Temperature*	Ceramic Disc - 85°C

*Enware products are to be installed in accordance with the Plumbing Code of Australia and AS/NZS3500.

NOTE: Enware Australia advises:

1. Due to ongoing Research and Development, specifications may change without notice.
2. Component specifications may change on some export models.
3. Refer to Warranty Statement for Warranty details www.enware.com.au/warranty



Version: SEP13

Call 1300 369 273
www.enware.com

Enware Australia Pty Limited
9 Endeavour Rd Caringbah NSW 2229 Australia
Ph: +61 2 8556 4000 Fax: +61 2 8556 4055


installing confidence