

Wellbeing Accessible Toilet Grab Rail with 40° Bend - Left Hand

ECASS840L40

Configured Grab Rail for use in toilet applications for disabled, aged care facilities and home assist use.

Fully welded construction in grade 304 stainless steel tubing. Slip resistant Satin Stainless Steel with flange covers. Easy to install on most building surfaces (fixings not supplied). Designed for maximum strength and user confidence. Conforms to AS1428.1-2009.

FEATURES

- CleanSeal flange and cover with a simple fixing method and a hygienically mounted installation.
- Provides for easily cleaned crevice-free condition that inhibits bacterial build up.
- 840mm Horizontal x 700mm 40° Rise



Product Codes

ECASS840L40SS Stainless Steel Finish

OPTIONS

- Bariatric Grab Rail - **ECBAR840L40SS**



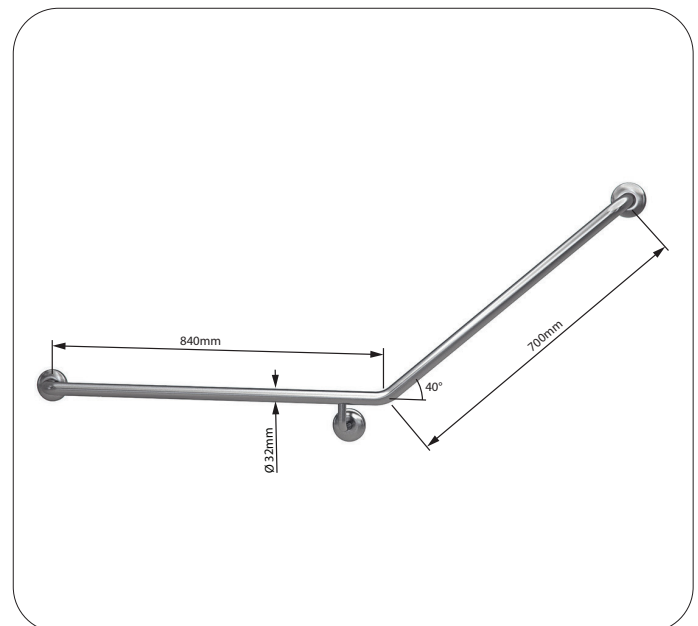
Load Rating:

Enware Grab Rails that are manufactured within the guidelines of AS1428 are compliant with being able to withstand 1100N of force applied in any direction.

Fixing screws are not supplied with product. Ensure grab rail is installed on a solid wall surface with firm wall backing using appropriate fixing method. Structural engineers or licensed tradespersons should be consulted for appropriate advice on suitability of the fasteners and wall structure before affixing or installing any Enware products. Enware does not provide any warranty in relation to bolts, screws or other fasteners used with Enware products.

NOTE: Enware Australia advises:

1. Due to ongoing Research and Development, specifications may change without notice.
2. Component specifications may change on some export models.
3. Refer to Warranty Statement for warranty details - www.enware.com.au/warranty



Version: May 21

Call 1300 369 273
www.enware.com.au

Enware Australia Pty Limited
9 Endeavour Rd Caringbah NSW 2229 Australia
Ph: 02 8536 4000 info@enware.com.au