

# Wellbeing Bariatric Accessible Toilet Grab Rail with 40° Bend - Right Hand

## ECBAR840R40

Configured Bariatric Grab Rail for use in toilet applications for disabled, aged care facilities and home assist use.

### FEATURES

- CleanSeal flange and cover with a simple fixing method and a hygienically mounted installation.
- Provides for easily cleaned crevice-free condition that inhibits bacterial build up.
- Fully welded construction in grade 304 32mm stainless steel tubing.
- Conforms to AS1428.1-2009.
- 840mm Horizontal x 700mm 40° Rise
- Will take a dynamic load of 300kg with appropriate use of fasteners.



### Product Codes

**ECBAR840R40SS** Bariatric Toilet Grab Rail with 40° Bend Right Hand - Stainless Steel Finish

### OPTIONS

- Left Hand - **ECBAR840L40SS**



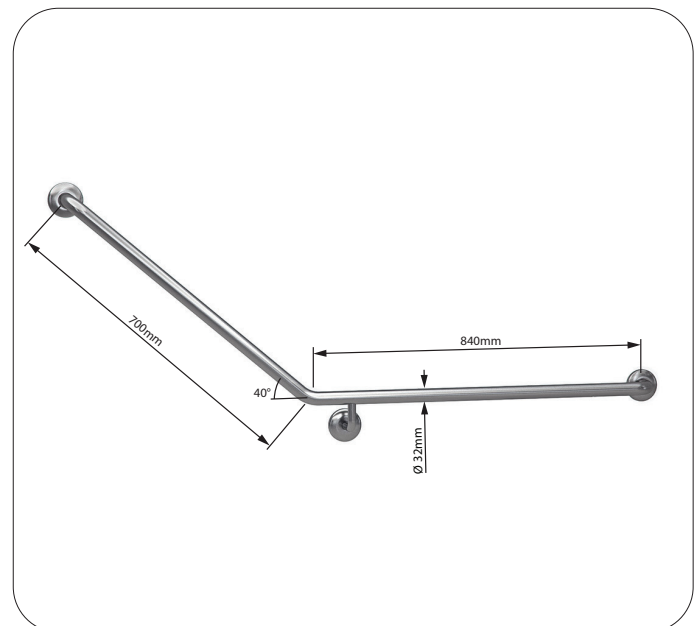
### Load Rating:

Enware Grab Rails that are manufactured within the guidelines of AS1428 are compliant with being able to withstand 1100N of force applied in any direction.

Fixing screws are not supplied with product. Ensure grab rail is installed on a solid wall surface with firm wall backing using appropriate fixing method. Structural engineers or licensed tradespersons should be consulted for appropriate advice on suitability of the fasteners and wall structure before affixing or installing any Enware products. Enware does not provide any warranty in relation to bolts, screws or other fasteners used with Enware products.

NOTE: Enware Australia advises:

1. Due to ongoing Research and Development, specifications may change without notice.
2. Component specifications may change on some export models.
3. Refer to Warranty Statement for warranty details - [www.enware.com.au/warranty](http://www.enware.com.au/warranty)



Version: May 21

Call 1300 369 273  
[www.enware.com.au](http://www.enware.com.au)

Enware Australia Pty Limited  
9 Endeavour Rd Caringbah NSW 2229 Australia  
Ph: 02 8536 4000 [info@enware.com.au](mailto:info@enware.com.au)