

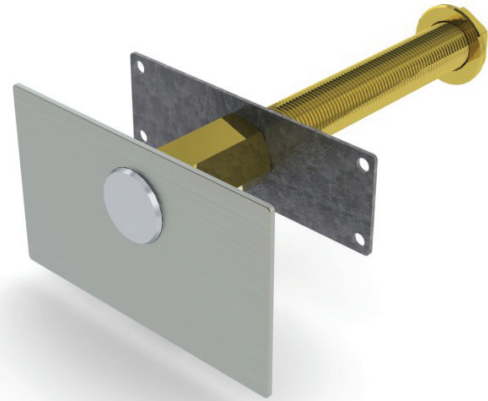
# Basin Touch Control Kit - Rear Access for Duct Application

The water efficient Detention tapware series have been designed to provide a high level of security with the inclusion of vandal resistant features.

## EMD810RSSF

### FEATURES

- Rear fixing for additional vandal resistance
- Suitable for walls from 55mm up to 175mm thick
- Stainless steel face plate
- Rear access mounting bracket
- 1/2" stainless steel solenoid valve
- 24V DC power pack with 4.5m cable
- Touch-activated Piezo button
- Fixed timing - 15 seconds ON, 15 seconds OFF, with Early Stop function



### Product Codes

**EMD810RSSF** Basin Touch Control Kit, DC Duct Mounted - Fixed Time 15 sec ON / 15 sec OFF / Early Stop

### OPTIONS

- EMD811RSS Shower Touch Control Kit, Duct Mounted - Adjustable Time
- EMD811RSSF Shower Touch Control Kit Duct Mounted - Fixed Time



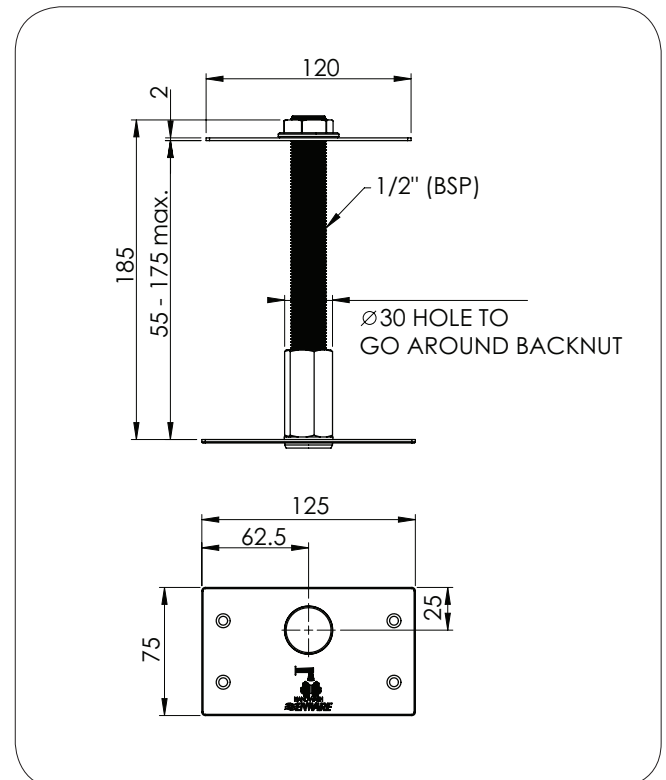
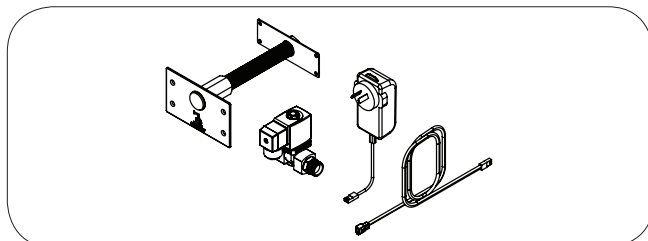
### Technical Information

Inlet Connection	15 mm (1/2") BSP
Recommended Working Pressure	50 - 500 kPa*
Maximum Inlet Temperature*	70 °C*
Power Supply	24V DC 1.25A
IP Protection Class - Piezo Button	IP68

\*Enware products are to be installed in accordance with the Plumbing Code of Australia and AS/NZS3500.

Reference should also be made to the Australasian Health facility Guidelines (AHFG), ABCB and Local Government regulations when considering the choice of, and the installation of these products.

NOTE: Enware Australia advises: 1. Due to ongoing Research and Development, specifications may change without notice; 2. Component specifications may change on some export models.



Version: May 19

Call 1300 369 273  
www.enware.com.au

Enware Australia Pty Limited  
9 Endeavour Rd Caringbah NSW 2229 Australia  
Ph: 02 8536 4000 info@enware.com.au

