

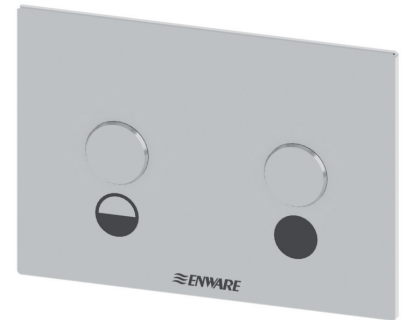
Touch-Activated Dual Flush WC Flushing System - Duct Access

Enware's WC flushing systems provide a neat and reliable flushing solution using piezoelectric technology particularly suited for public access applications.

Uses a WaterMarked solenoid that when combined with an appropriate pan delivers either a 3/6L or 3/4.5L flush. Intended for ducted access. Stylish and strong electronic piezo operation using mains power. Semi concealed installation with a stainless steel panel and security screws.

Shut off valve, filter & airbreak included.

EMF412M

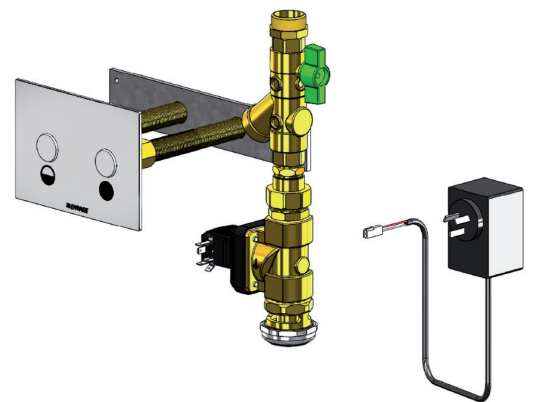


FEATURES

- Suitable for AS1428.1 applications
- Piezo touch button control
- 3 or 4 Star WELS rating*
- Mains power 24V
- Face plate for duct fixing
- Vandal resistant torx screws
- 1-year warranty

Product Codes

- EMF412M-3 WELS 3 Star rated*
- EMF412M-4 WELS 4 Star rated*

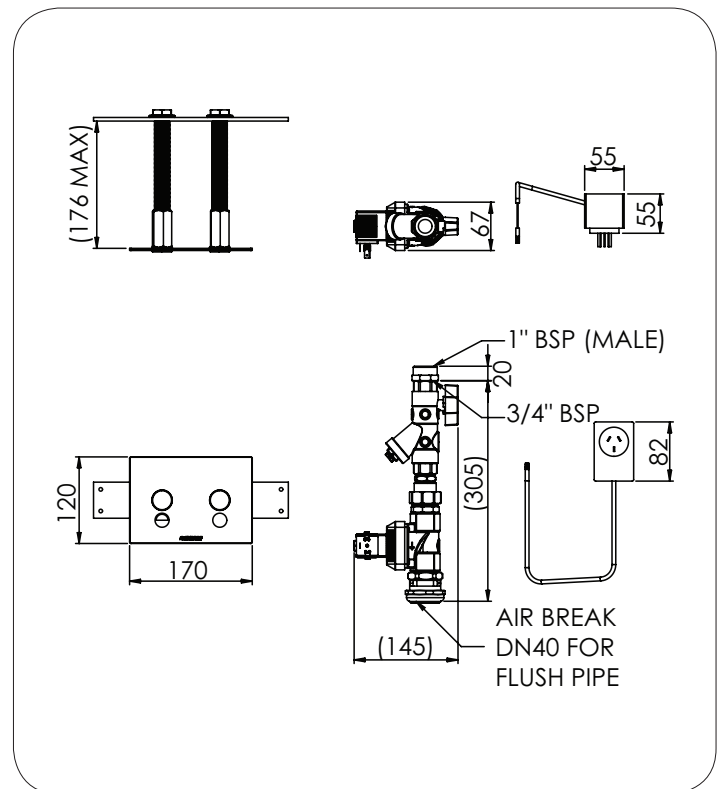


Technical Information

Water Supply	300 kPa
Connection	Inlet - 1" BSP (25mm) Outlet - 1 1/2" BSP (40mm)
Minimum Water Supply Line Size	1" (25mm) copper pipe
Mains Powered	24V AC transformer
Kv Factor	8.3m³/h
Flush Pipe	1 1/2" (40mm) flush pipe is required below the air break. (Note: use a maximum of 1x90° bend in flush pipe. If an offset is required 2 x 45° bends must be used. Maximum of 1 offset per flush pipe. Air break must be installed in a vertical position at 700mm +/- 100 mm above the pan inlet.
Pan	5.5L (6L) Capacity (1 star)

Enware products must be installed in accordance with the provisions of AS/NZS3500 and any relevant local regulations. Installations not complying with AS/NZS3500 may void the product and performance warranty provisions. As Enware's product development is ongoing, product specifications may vary over time.

* WELS volume is only achieved at 300kPa. Use a pressure limiting valve to achieve WELS rating when required.



Version: May17

Call 1300 369 273
www.enware.com

Enware Australia Pty Limited
9 Endeavour Rd Caringbah NSW 2229 Australia
Ph: 02 8536 4000 Fax: 02 8556 4055

ENWARE
installing confidence